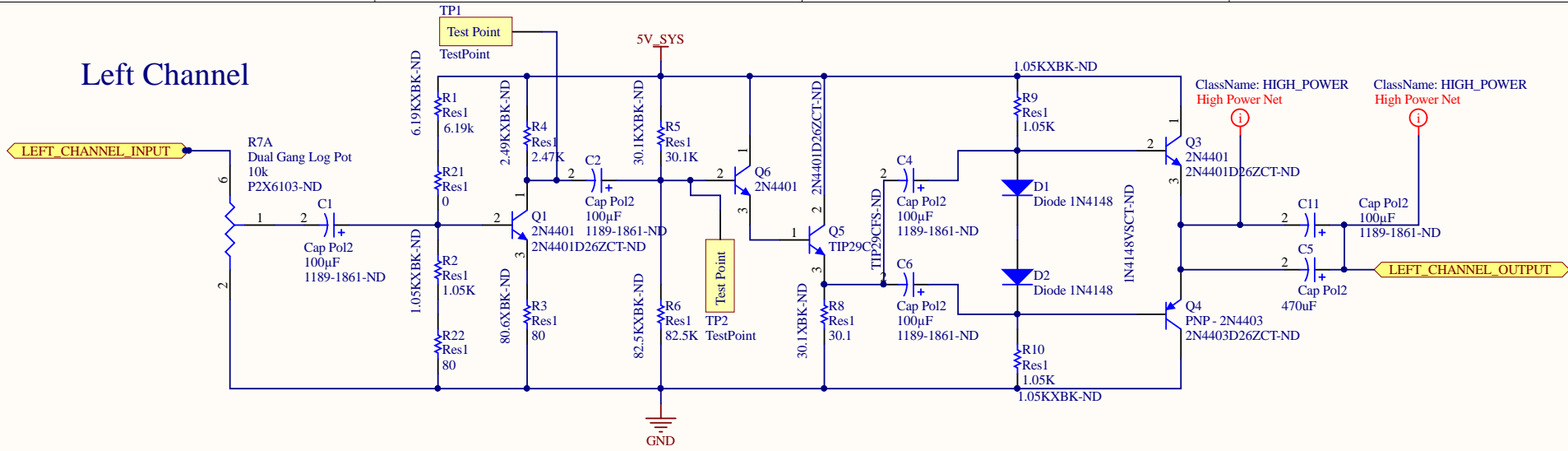
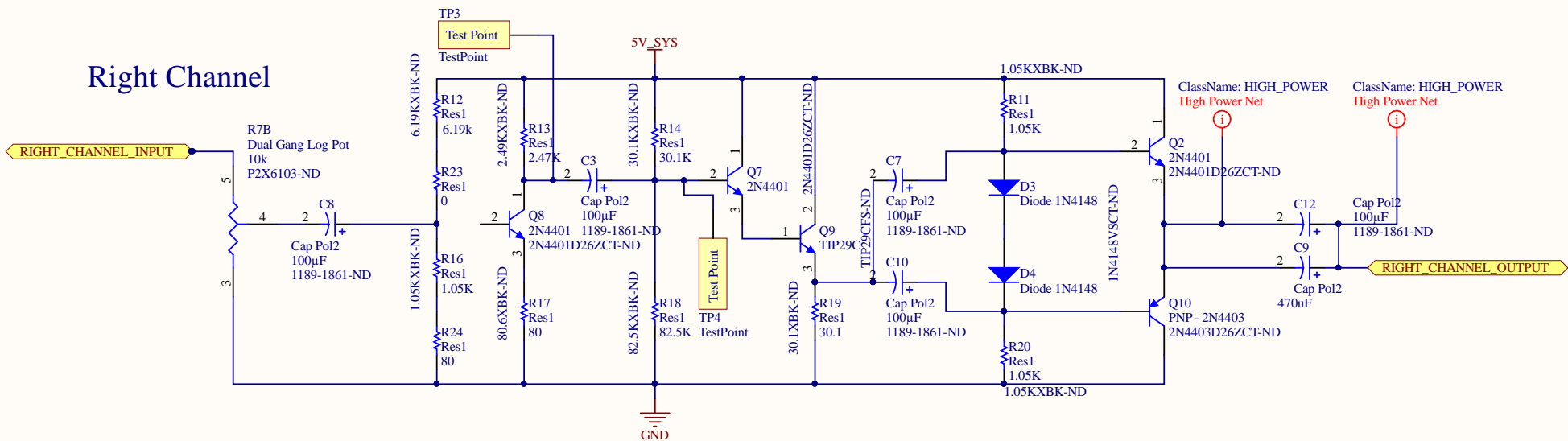


Left Channel



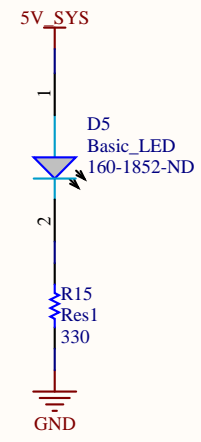
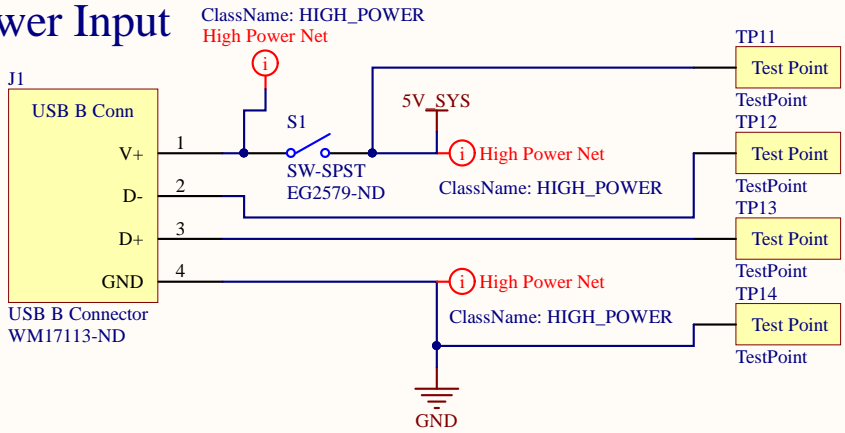
Right Channel



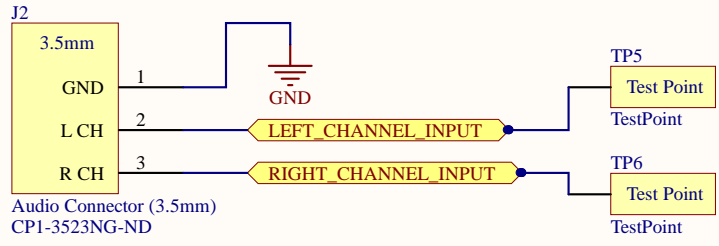
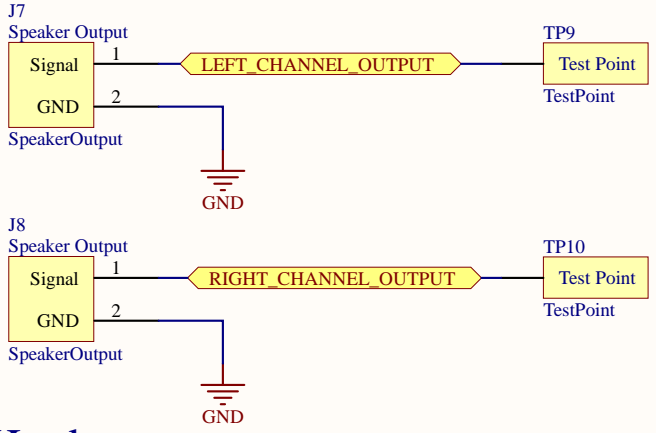
Title <i>Amplifier.SchDoc</i>		
Size: A4	Number: 1	Revision:
Date: 3/8/2016	Time: 8:01:42 PM	Sheet 1 of 2
File: C:\Users\Nick\Google Drive\PCB Designs\323_AudioAmplifier\Amplifier.SchDoc		



Power Input

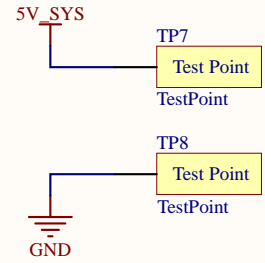


Speaker Output



Hardware

- J3 Mounting Hole
MountingHoles
- J4 Mounting Hole
MountingHoles
- J5 Mounting Hole
MountingHoles
- J6 Mounting Hole
MountingHoles



Title Auxillary.SchDoc			
Size: A4	Number:2	Revision:*	
Date: 3/8/2016	Time: 8:01:42 PM	Sheet 2 of 2	
File: C:\Users\Nick\Google Drive\PCB Designs\323_AudioAmplifier\Auxillary.SchDoc			