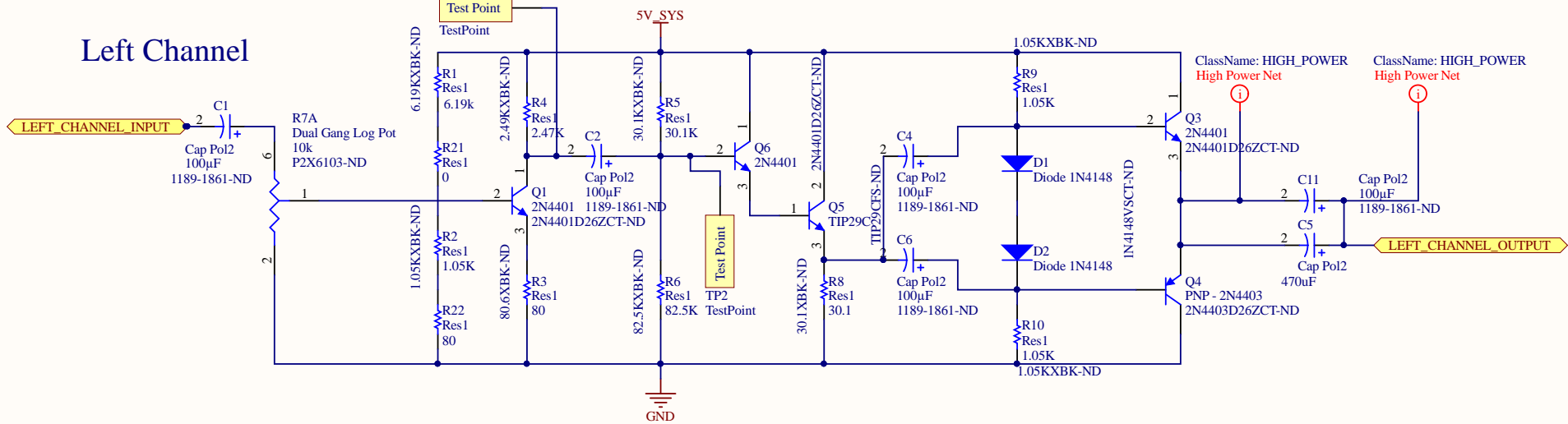
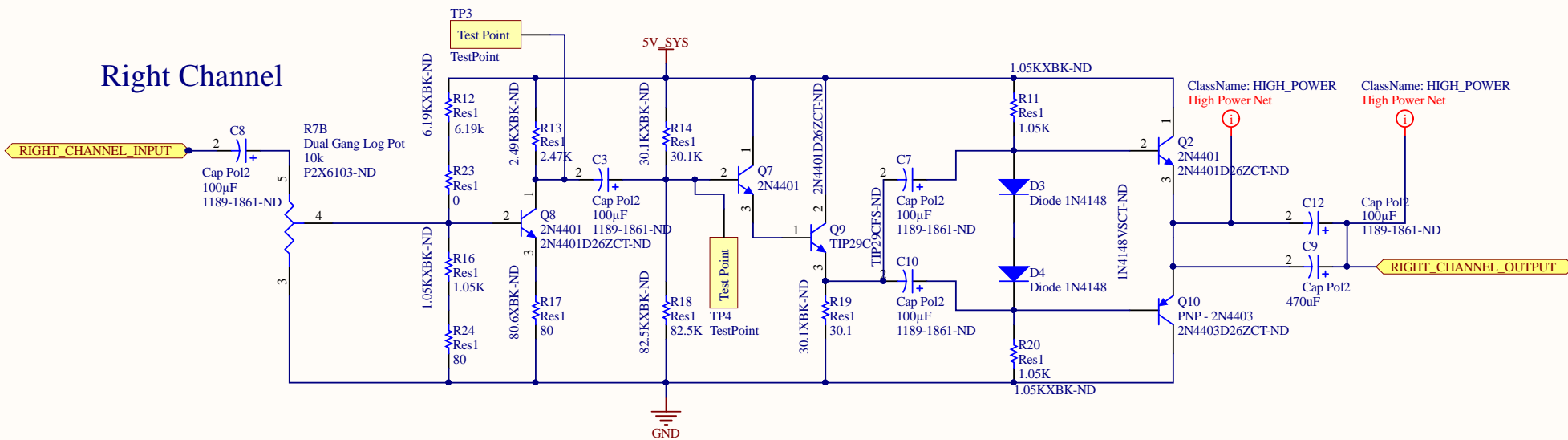



Left Channel

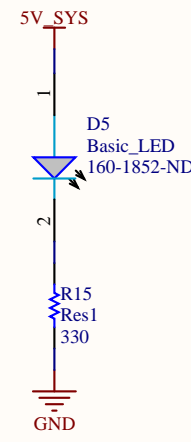
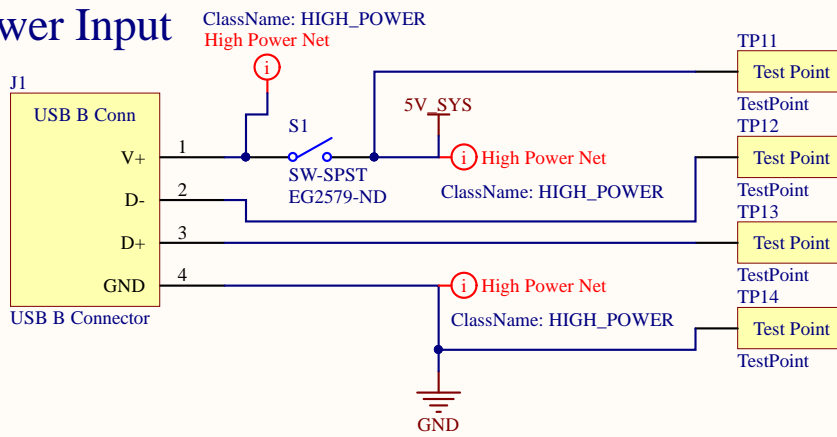


Right Channel

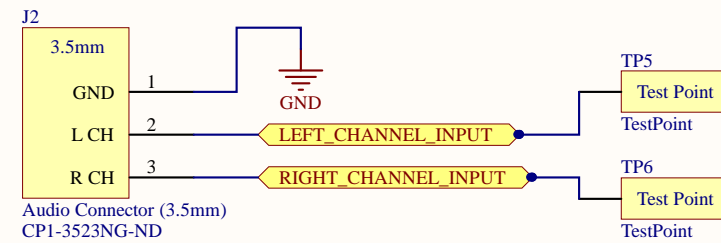
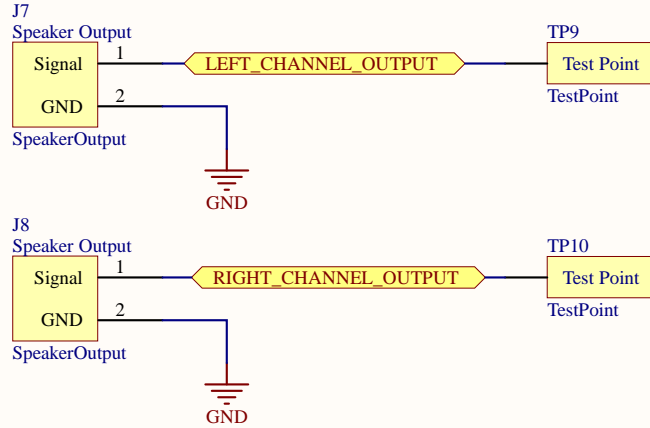


Title			Altium Limited L3, 12a Rodborough Rd Frenchs Forest NSW Australia 2086		
Size: A4	Number:	Revision:			
Date: 2/17/2016	Time: 4:31:09 PM	Sheet of			
File: C:\Users\Nick\Google Drive\PCB Designs\323_AudioAmplifier\Amplifier.SchDoc					

Power Input

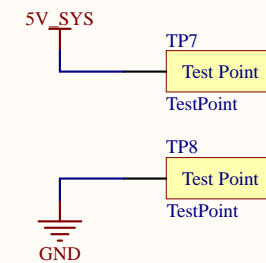


Speaker Output



Hardware

- J3 Mounting Hole MountingHoles
- J4 Mounting Hole MountingHoles
- J5 Mounting Hole MountingHoles
- J6 Mounting Hole MountingHoles



Title		
Size	Number	Revision
A		
Date:	2/17/2016	Sheet of
File:	C:\Users\...\Auxillary.SchDoc	Drawn By:

