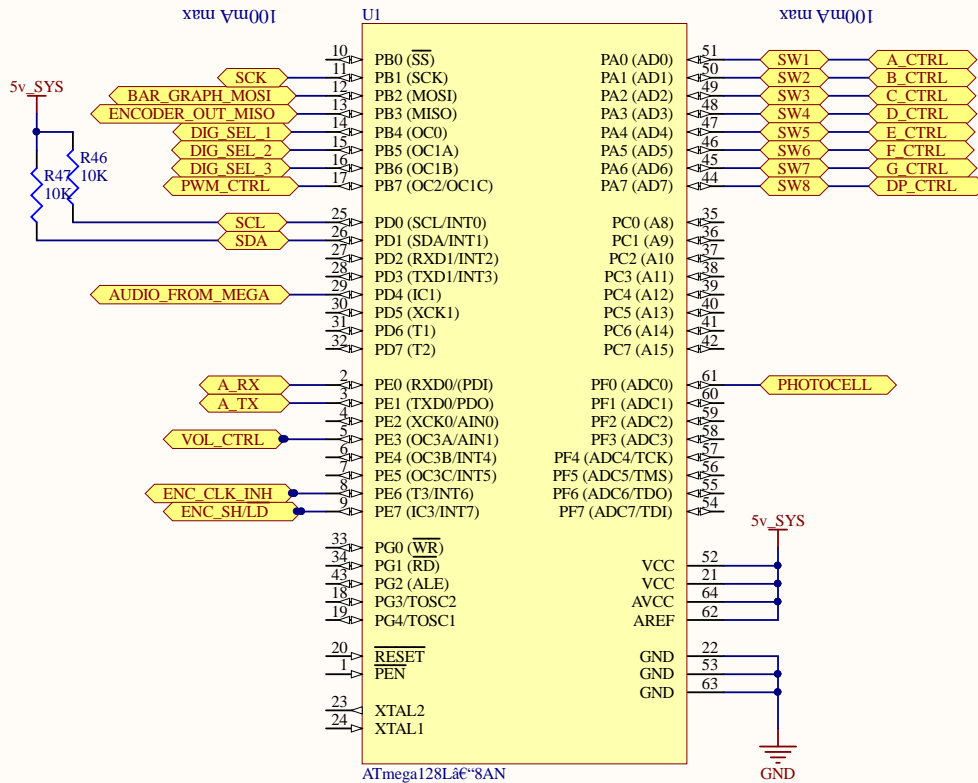
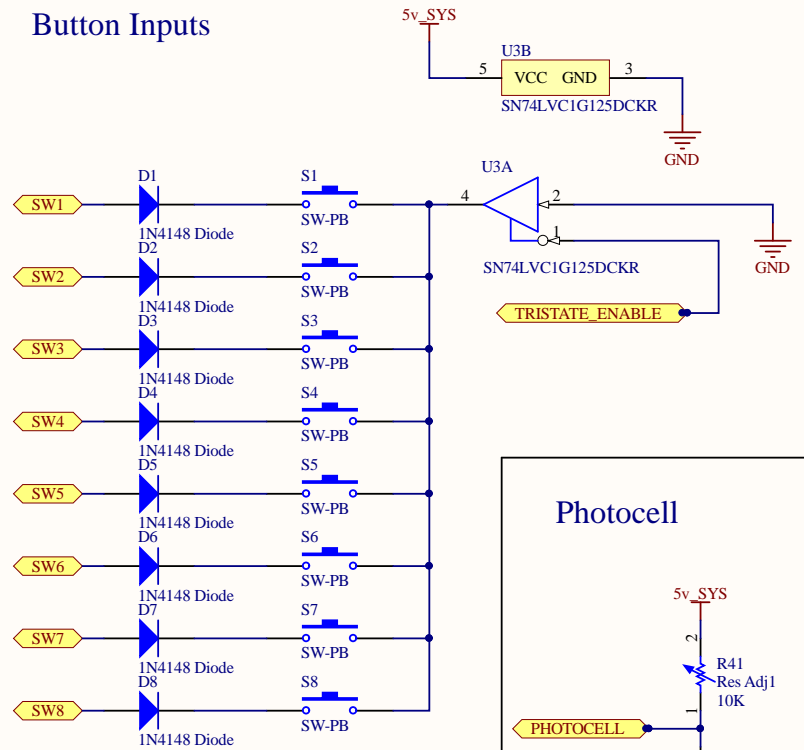


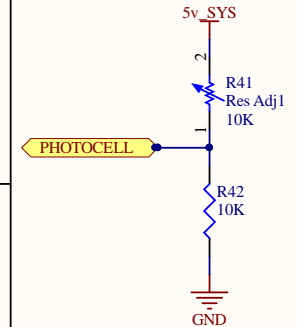
Microcontroller



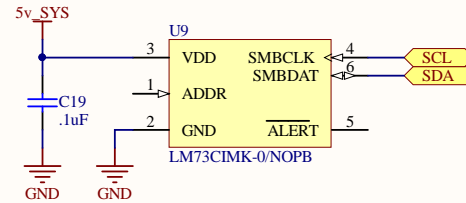
Button Inputs



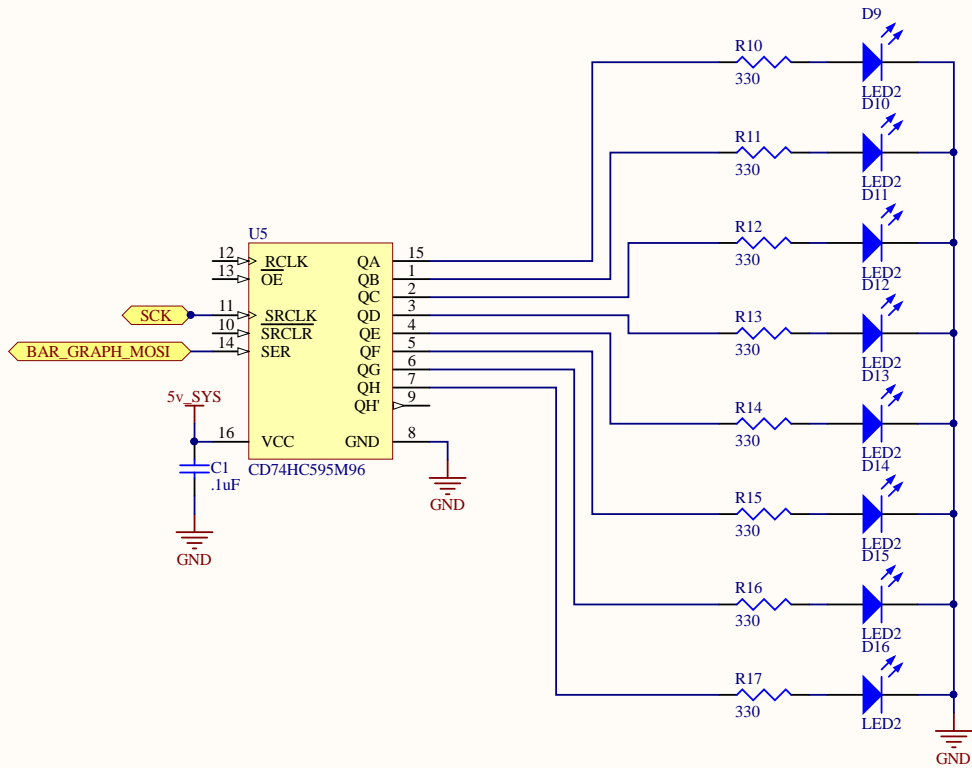
Photocell



Temperature Sensor

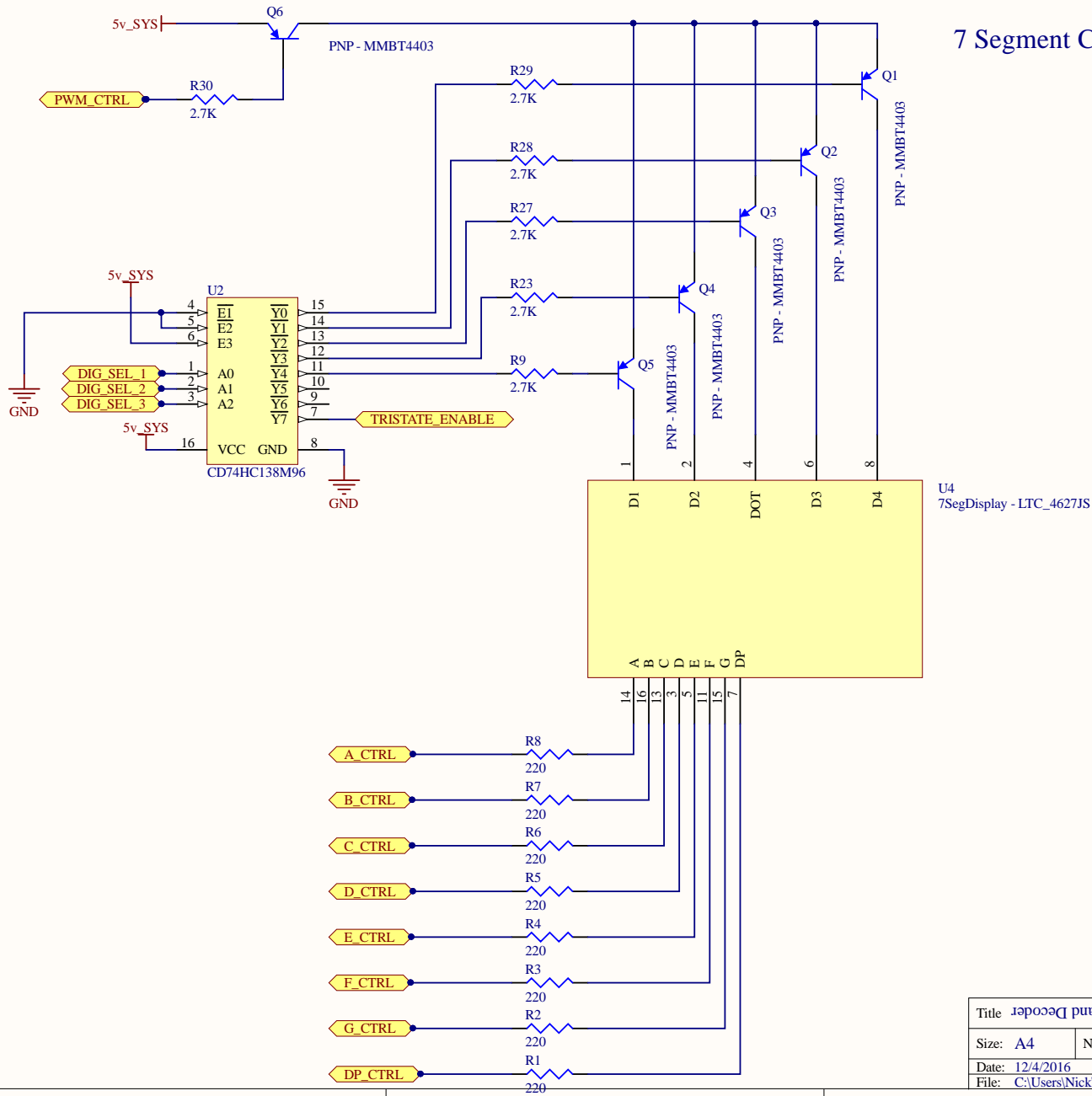


Title: Microcontroller and Switches			www.nickmccomb.net Nick McComb
Size: A4	Number: 1	Revision:	
Date: 12/4/2016	Time: 11:04:40 AM Sheet 1 of 7		
File: C:\Users\Nick\Documents\GitHub\ECE473\lab6_final\sch\lab2\uC.SchDoc			

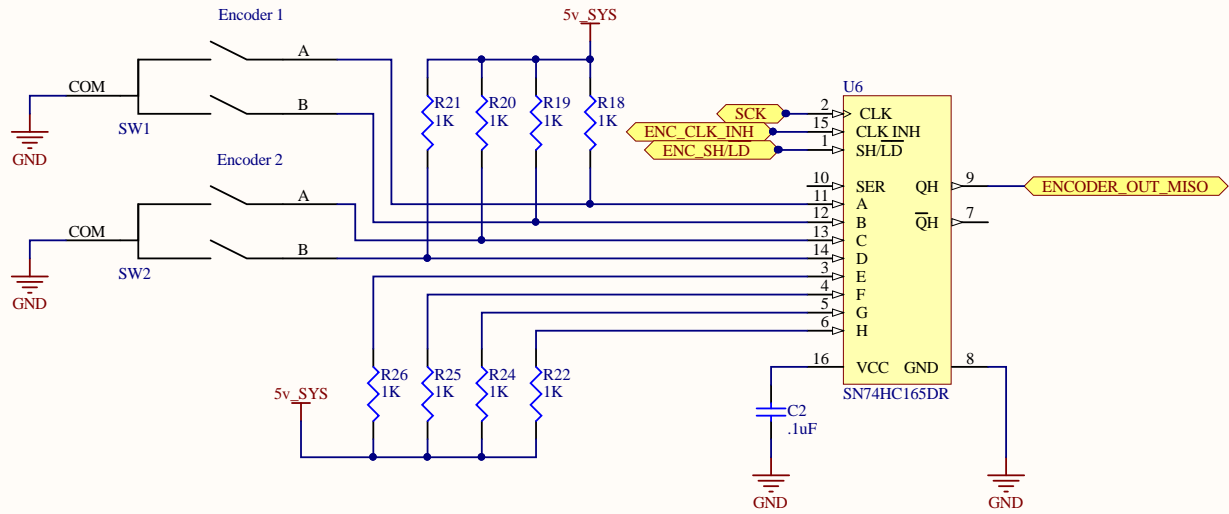


Title Bar Graph			www.nickmccomb.net Nick McComb
Size: A4	Number: 2	Revision:	
Date: 12/4/2016	Time: 11:04:40 AM Sheet 2 of 7		
File: C:\Users\Nick\Documents\GitHub\ECE473\lab6_final\sch\lab2\barGraph.SchDoc			

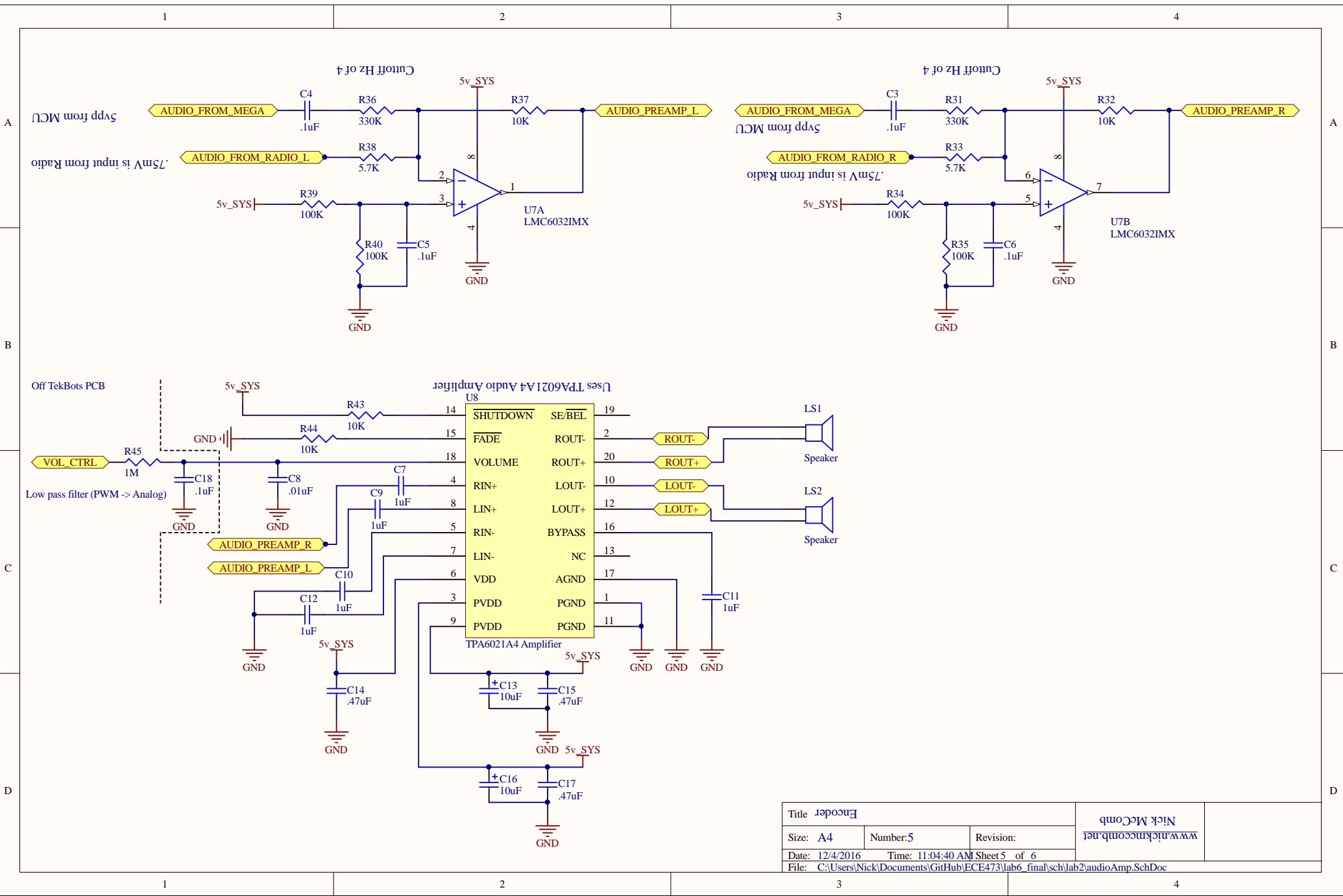
7 Segment Control



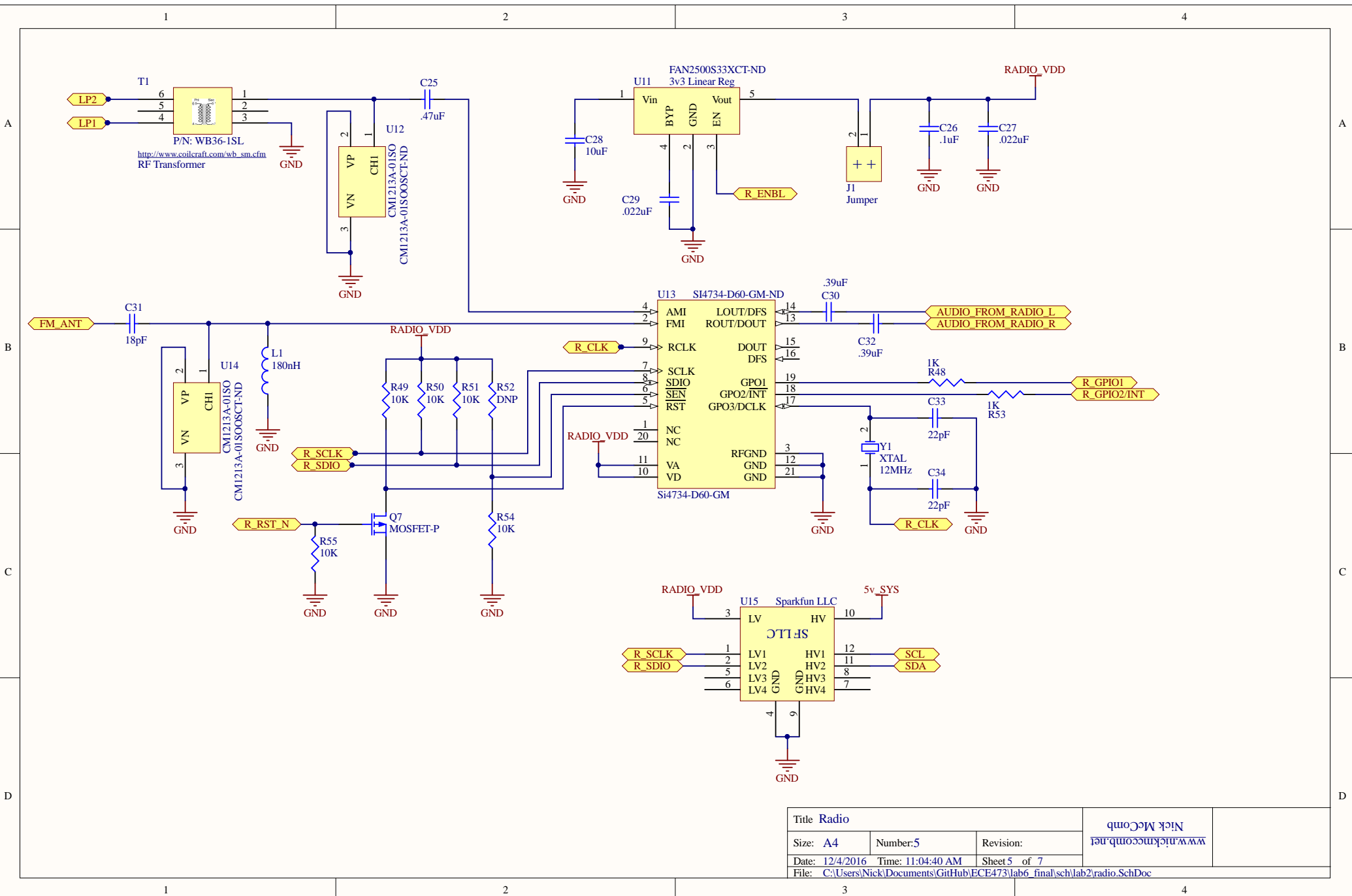
Title: 7 Segment and Decoder			www.nickmcomb.net
Size: A4	Number: 3	Revision:	
Date: 12/4/2016	Time: 11:04:40 AM Sheet 3 of 7		
File: C:\Users\Nick\Documents\GitHub\ECE473\lab6_final\sch\lab2\7Seg.SchDoc			



Encoder.mtl			www.nickmccomb.net
Size: A4	Number: 4	Revision:	
Date: 12/4/2016	Time: 11:04:40 AM		Sheet 4 of 7
File: C:\Users\Nick\Documents\GitHub\ECE473\lab6_final\sch\lab2\encoder.SchDoc			

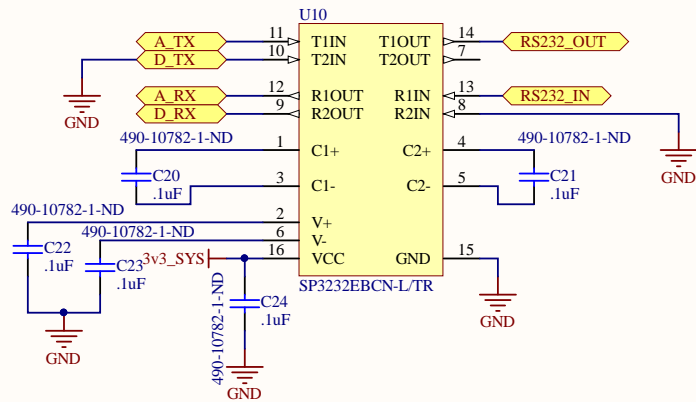


Encoder.mpl			www.nickmccomb.net Nick McComb
Size: A4	Number: 5	Revision:	
Date: 12/4/2016	Time: 11:04:40 AM Sheet 5 of 6		
File: C:\Users\Nick\Documents\GitHub\ECE473\lab6_final\sch\lab2\audioAmp.SchDoc			

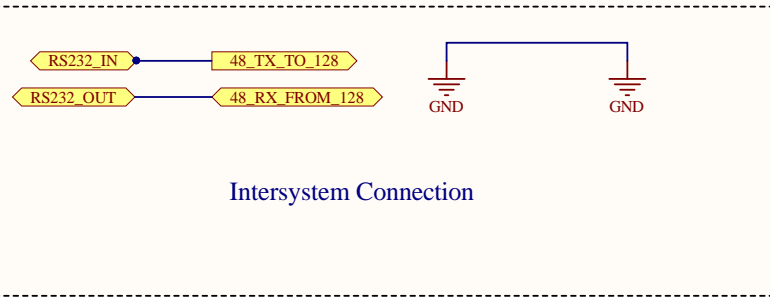


Title Radio			www.nickmccomb.net Nick McComb
Size: A4	Number: 5	Revision:	
Date: 12/4/2016	Time: 11:04:40 AM	Sheet 5 of 7	
File: C:\Users\Nick\Documents\GitHub\ECE473\lab6_final\sch\lab2\radio.SchDoc			

RS 232 Transceiver



Serial Interfaces



Title: Microcontroller and Switches			www.nickmccomb.net Nick McComb
Size: A4	Number: 7	Revision:	
Date: 12/4/2016	Time: 11:04:40 AM Sheet 7 of 7		
File: C:\Users\Nick\Documents\GitHub\ECE473\lab6_final\sch\lab2\serial.SchDoc			