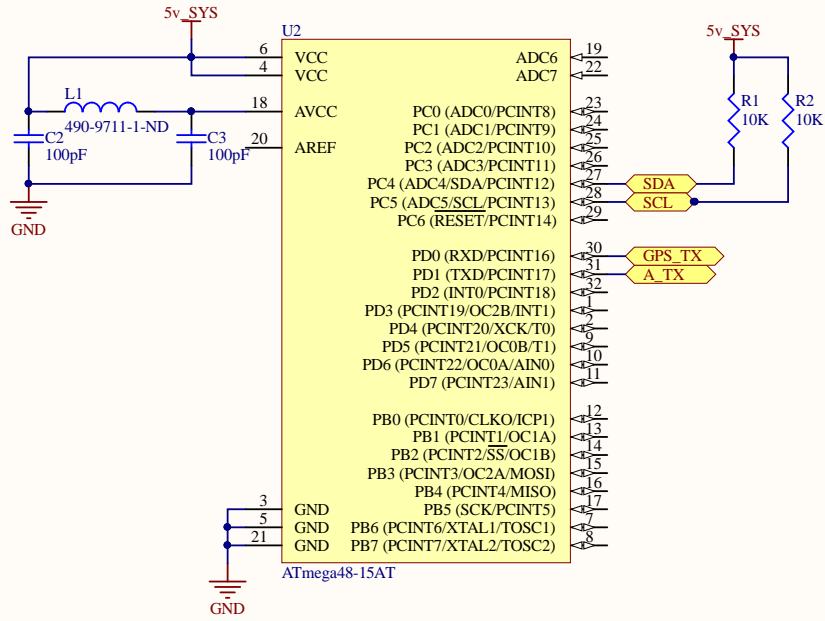
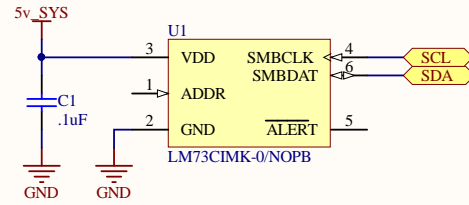


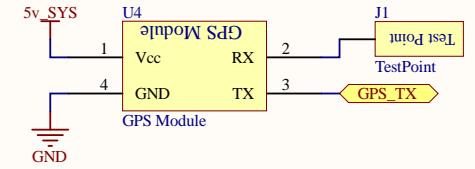
Microcontroller



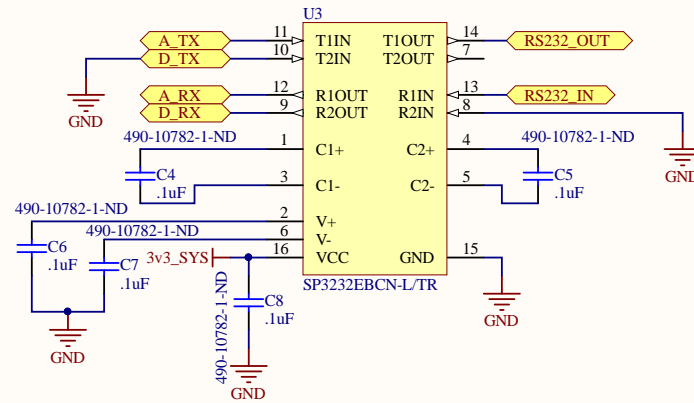
Temperature Sensor



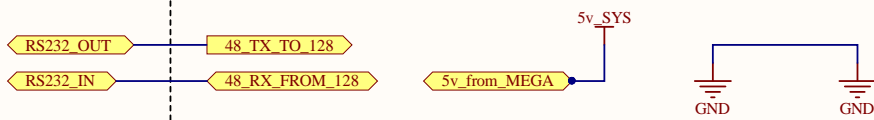
GPS Input



RS 232 Transceiver



Board Interface



Intersystem Connection

Title Bar Graph			www.nickmccomb.net Nick McComb
Size: A4	Number: 1	Revision:	
Date: 11/29/2016	Time: 11:30:08 PM, Sheet 1 of 1		
File: C:\Users\Nick\Documents\GitHub\ECE473\lab5\sch\mega48\mega48\uC.SchDoc			