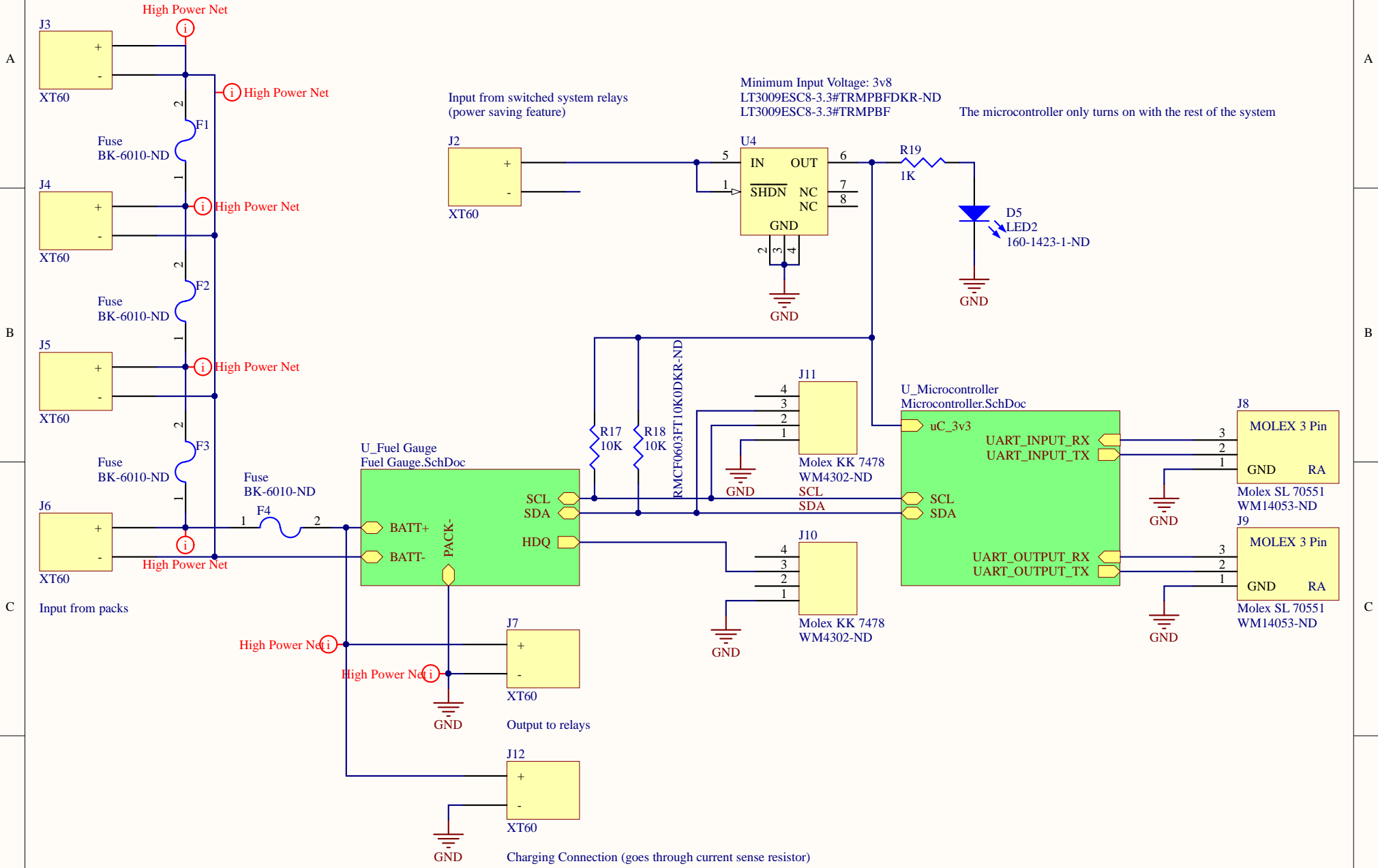
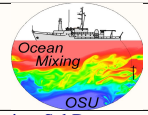
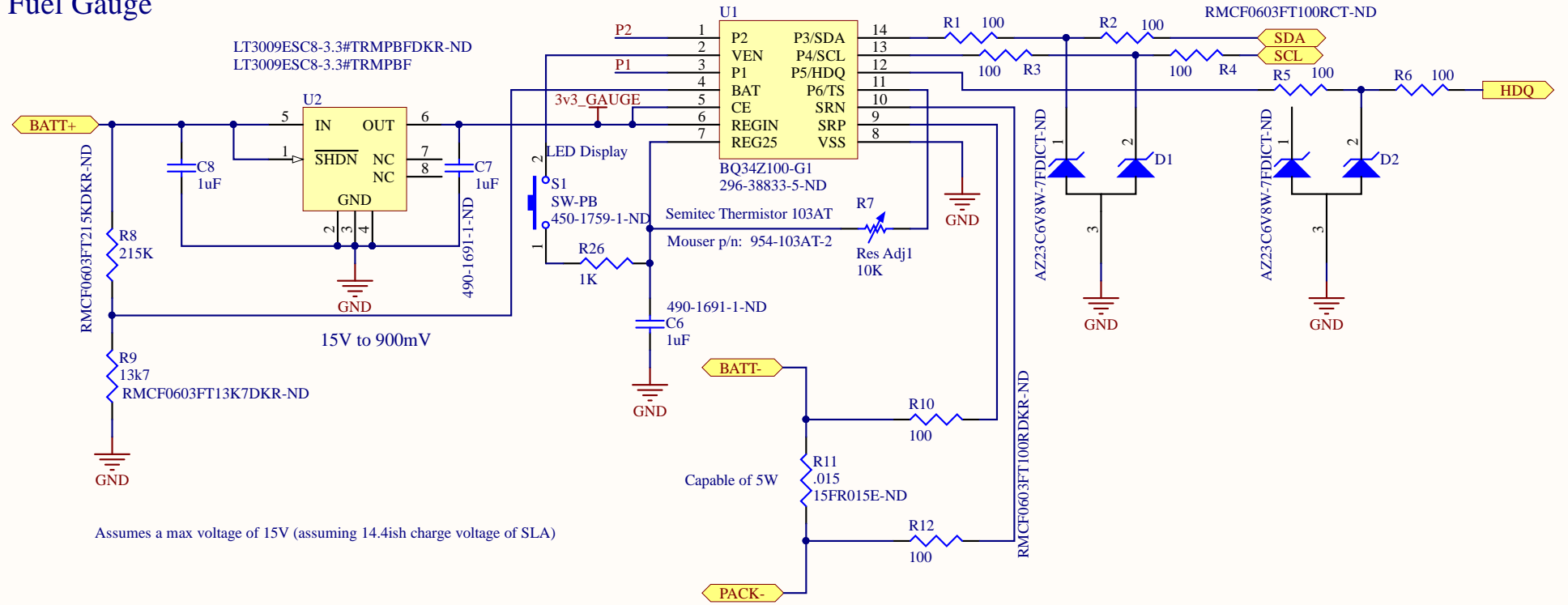


System Overview

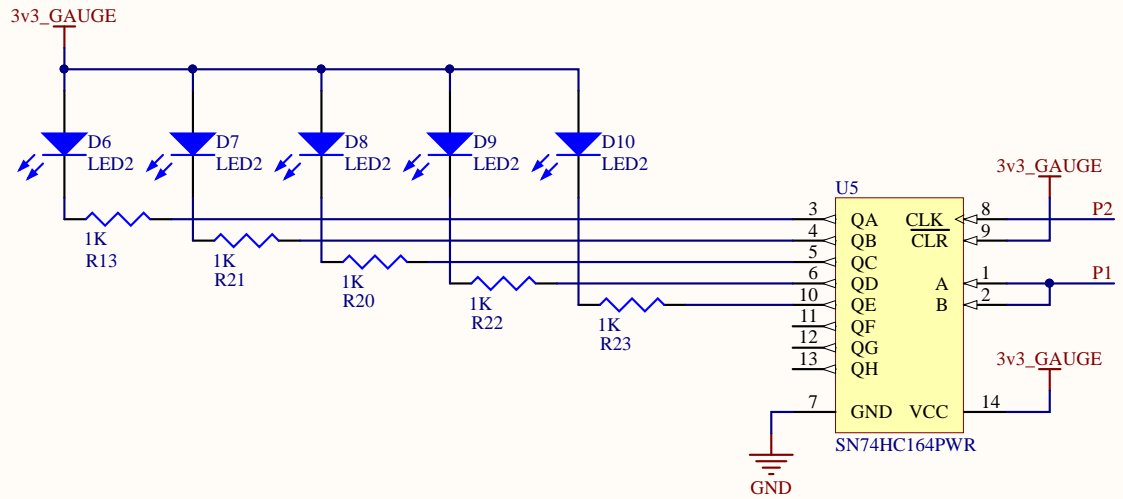


Title System Overview.SchDoc				 Ocean Mixing Group Oregon State University Corvallis, OR
Size: A4	Number: 1	Engineer: Nick McComb		
Date: 8/22/2017	Time: 10:02:43 AM	Sheet 1 of 3	Revision: 1	
File: C:\Users\Nick\Google Drive\Projects_Hobbies\Projects\PCB Designs\BatteryManagement\System Overview.SchDoc				

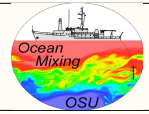
Fuel Gauge



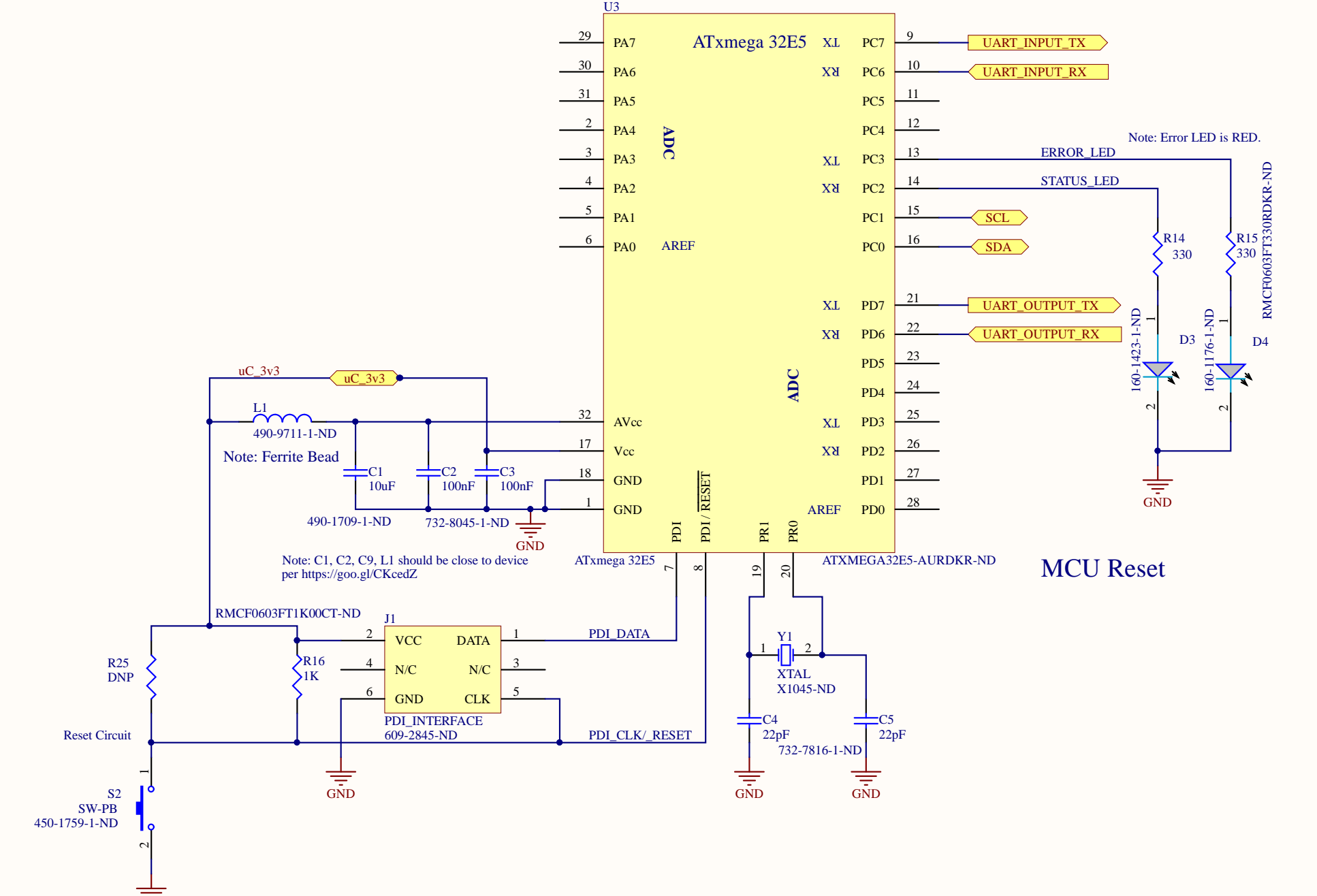
Assumes a max voltage of 15V (assuming 14.4ish charge voltage of SLA)



Calculations related to the BQ34Z100-G1 can be found in the file 'bq34z100 calculations.xlsx'

Title Fuel Gauge.SchDoc				Ocean Mixing Group Oregon State University Corvallis, OR		
Size: A4	Number: 2	Engineer: Nick McComb				
Date: 8/22/2017	Time: 10:02:44 AM	Sheet 2 of 3	Revision: 1			
File: C:\Users\Nick\Google Drive\Projects - Hobbies\Projects\PCB Designs\BatteryManagement\Fuel Gauge.SchDoc						

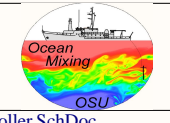
MCU

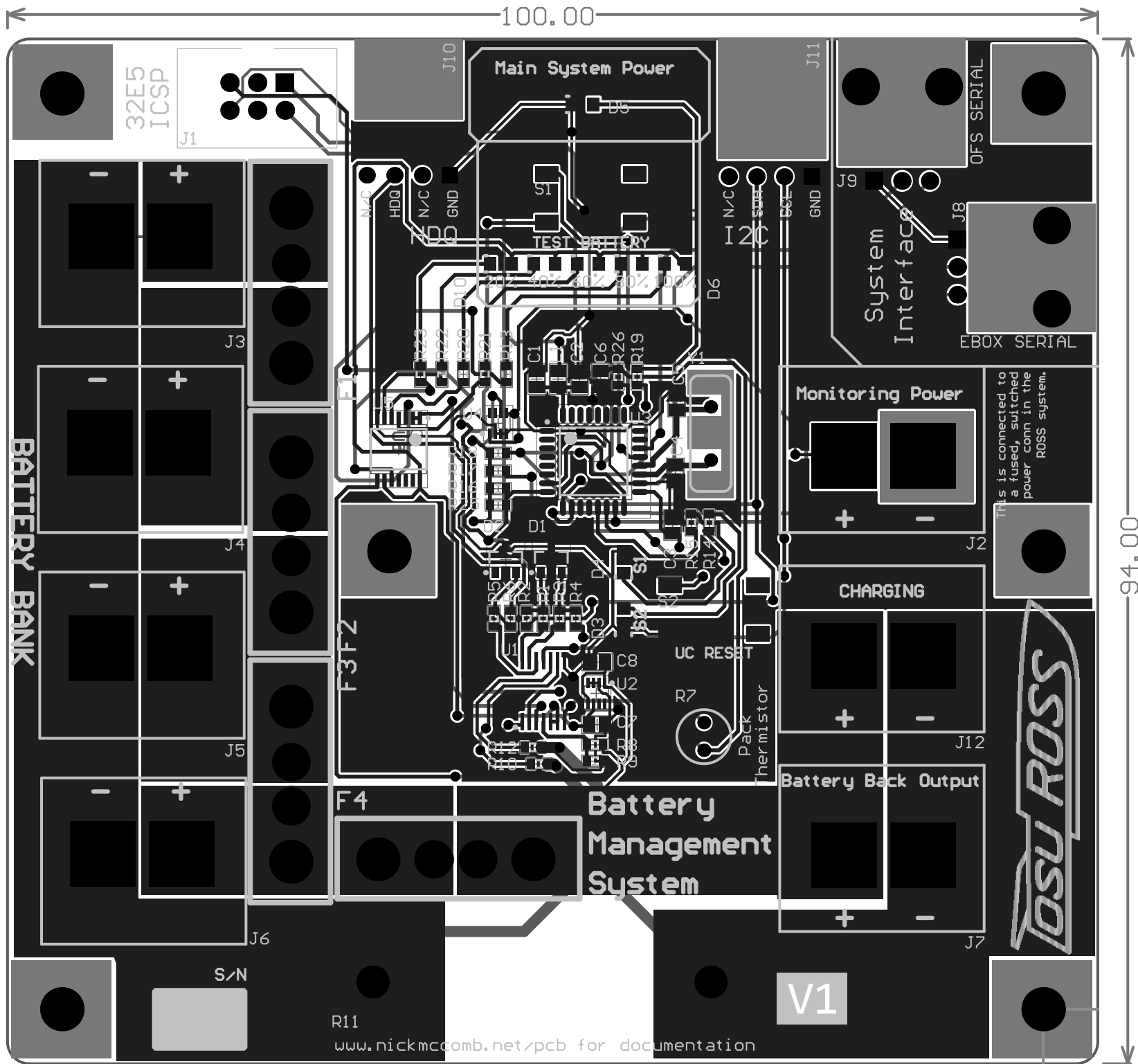


MCU Reset

Title: Microcontroller.SchDoc			
Size: A4	Number: 3	Engineer: Nick McComb	
Date: 8/22/2017	Time: 10:02:44 AM	Sheet 3 of 3	Revision: 1
File: C:\Users\Nick\Google Drive\Projects - Hobbies\Projects\PCB Designs\BatteryManagement\Microcontroller.SchDoc			

Ocean Mixing Group
Oregon State University
Corvallis, OR





BATTERY BANK

32E15
ICSP

J1

Main System Power

J10

U5

TEST BATTERY

R17 402Z R18 402Z R19 302Z R20 100Z

N/C

N/C

GND

N/C

GND

N/C

GND

N/C

GND

N/C

GND

N/C

GND

N/C

GND

N/C

GND

N/C

GND

N/C

GND

System
Interface

OFS SERIAL

EBOX SERIAL

Monitoring Power

This is connected to
a fused, switched
power conn in the
ROSS system.

CHARGING

Battery
Management
System

Battery Back Output

OSU ROSS

S/N

R11

V1

www.nickmcomb.net/pcb for documentation

100.00

94.00