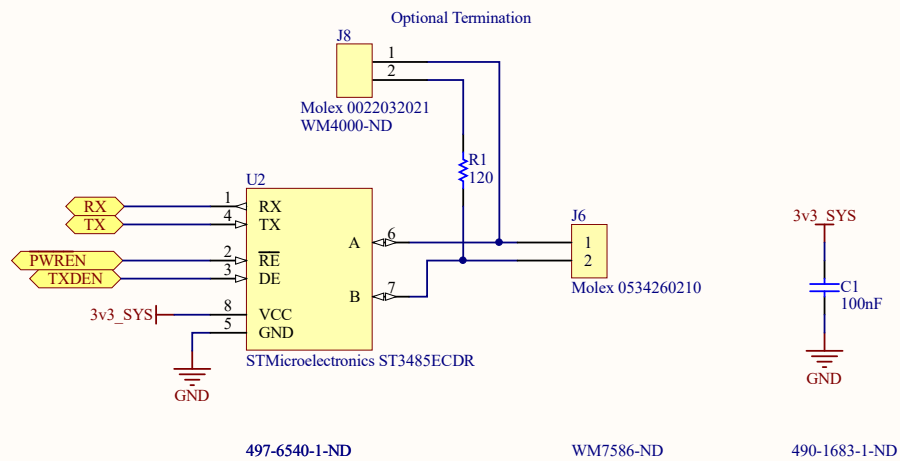


Title <b>Tower Alt Main</b>			OSU Robotics Club <a href="https://osurobotics.club">https://osurobotics.club</a> Rover Team
Size: A4	Engineer: Nick McComb	Revision: 1	
Date: 6/27/2018	Time: 11:41:29 PM	Sheet 1 of 3	
File: Main.SchDoc			





Title <b>RS485 Transceiver</b>			OSU Robotics Club <a href="https://osurobotics.club">https://osurobotics.club</a> Rover Team	
Size: A4	Engineer: Nick McComb	Revision: 1		
Date: 6/27/2018	Time: 11:41:30 PM	Sheet 2 of 3		
File: rs485_transceiver.SchDoc				

1

2

3

4

A

A

B

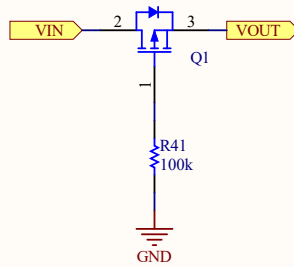
B

C

C

D

D



Title <b>Reverse Protection</b>			OSU Robotics Club <a href="https://osurobotics.club">https://osurobotics.club</a> Rover Team	<b>OSURC</b> OSU Robotics Club
Size: A4	Engineer: Nick McComb	Revision: 1		
Date: 6/27/2018 Time: 11:41:30 PM Sheet 3 of 3				
File: reverse_protection.SchDoc				

1

2

3

4