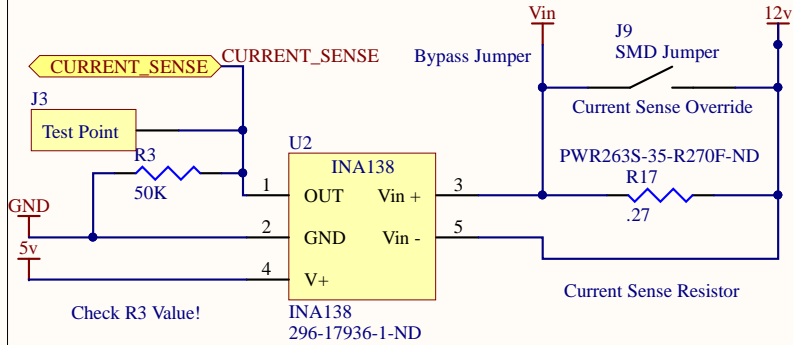
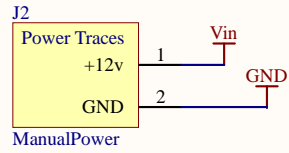
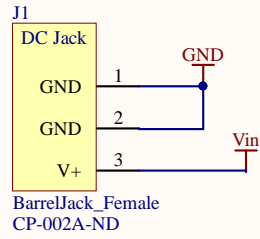


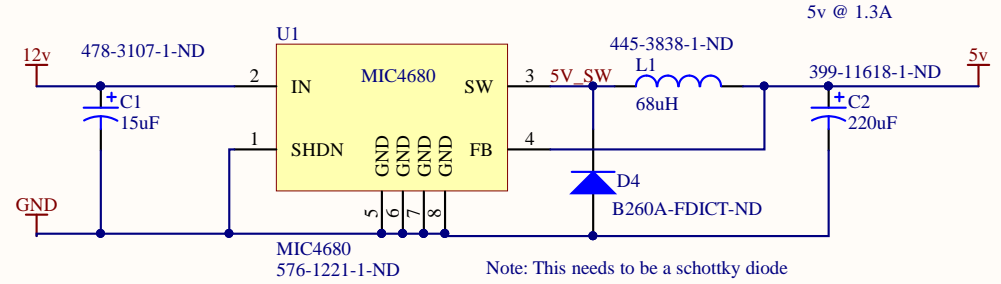
# Power Input

+12v input

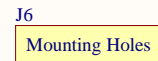
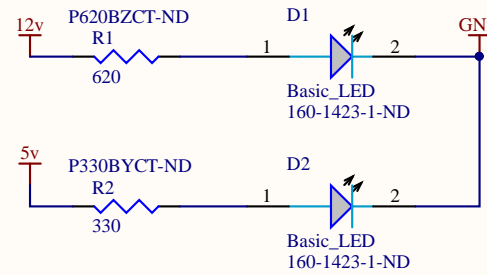
Backup for Barrel Jack



# Power Regulation

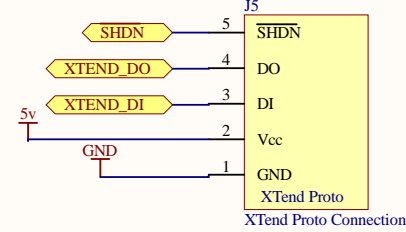


# Power LEDs

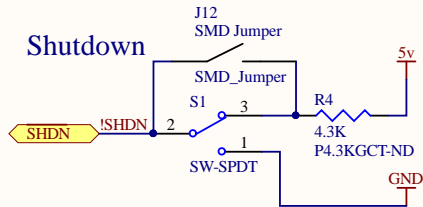


Title		
Size	Number	Revision
A		
Date:	11/30/2015	Sheet of
File:	C:\Users\...\PowerSupplies.SchDoc	Drawn By:

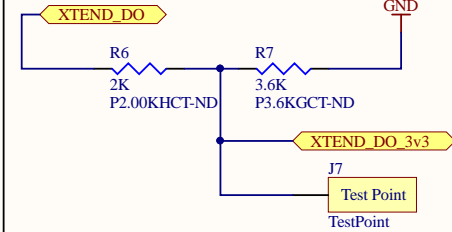
### "Prototyping" Connection



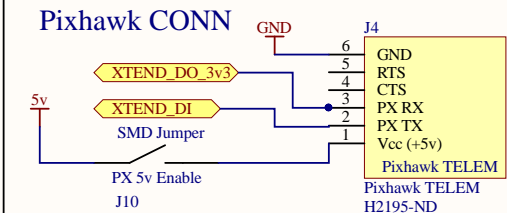
### Shutdown



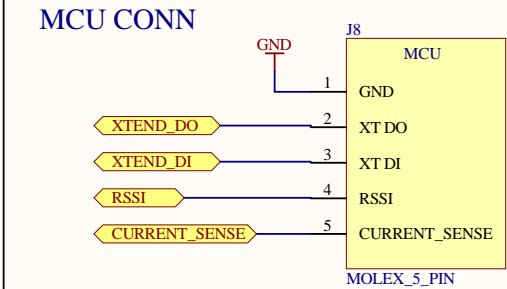
### Logic Level Conversion



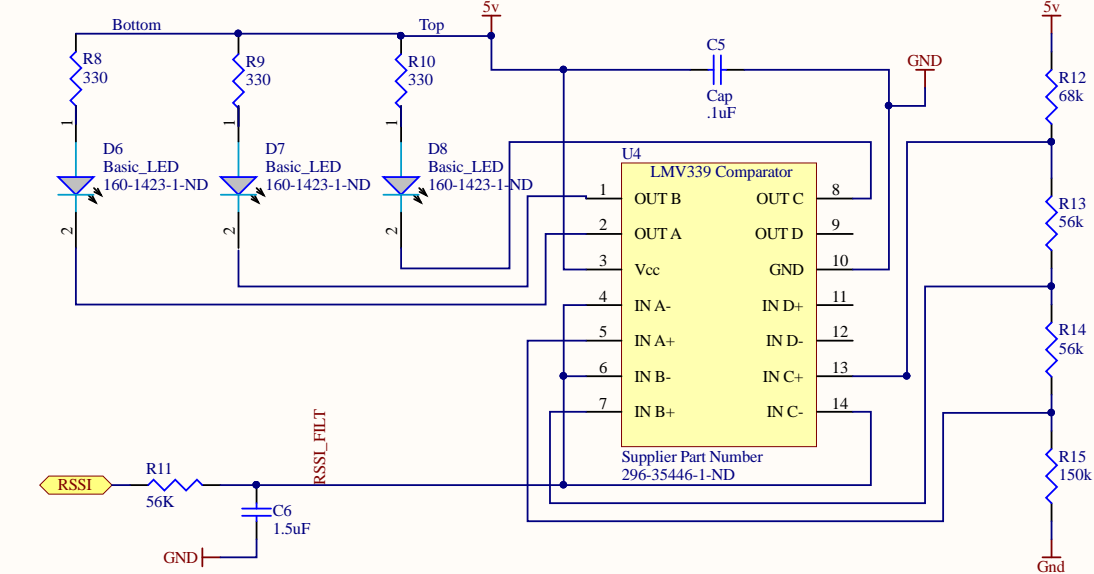
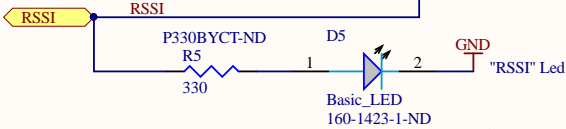
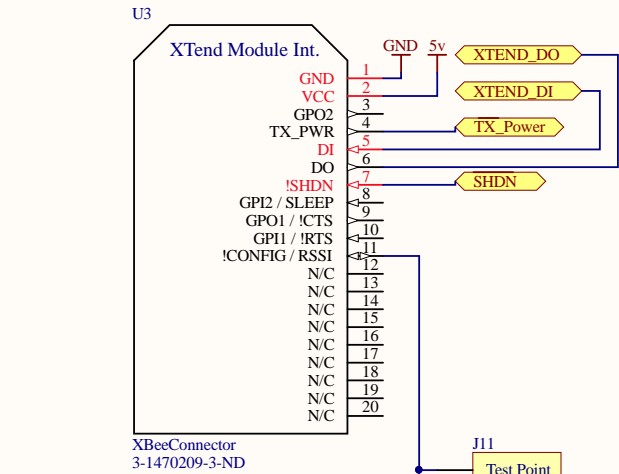
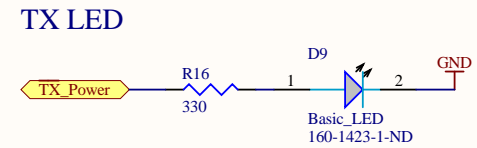
### Pixhawk CONN



### MCU CONN



### TX LED



Title		
Size A4	Number	Revision
Date:	11/30/2015	Sheet of
File:	C:\Users\...\RSSIandXTend.SchDoc	Drawn By:

1

2

3

4

A

A

B

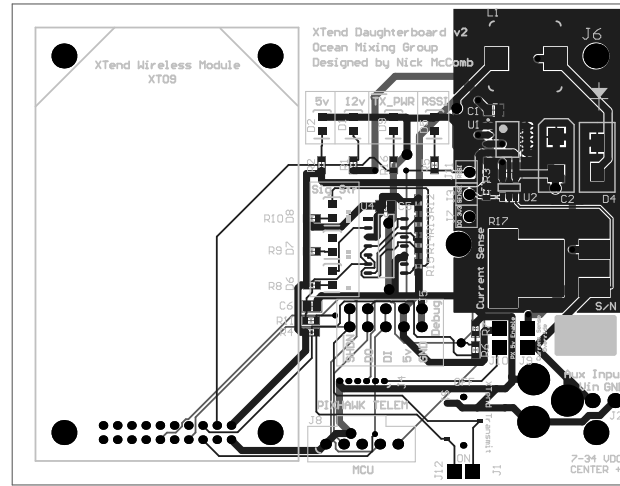
B

C

C

D

D



Altium Limited  
12a Rodborough Rd  
Frenchs Forest  
NSW 2086

ENGINEER:	TITLE:		
PCB DESIGNER:	PART NO.:		
DATE: 11/30/2015	REV:	FILE NAME: Daughterboard.PcbDoc	SCALE:

1

2

3

4