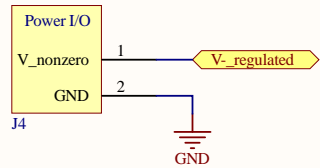
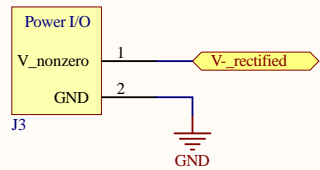
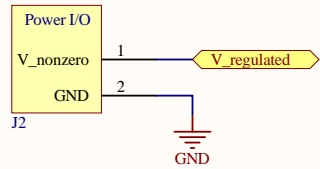
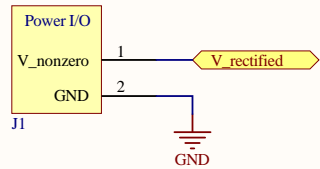
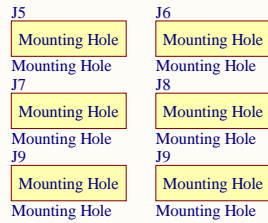


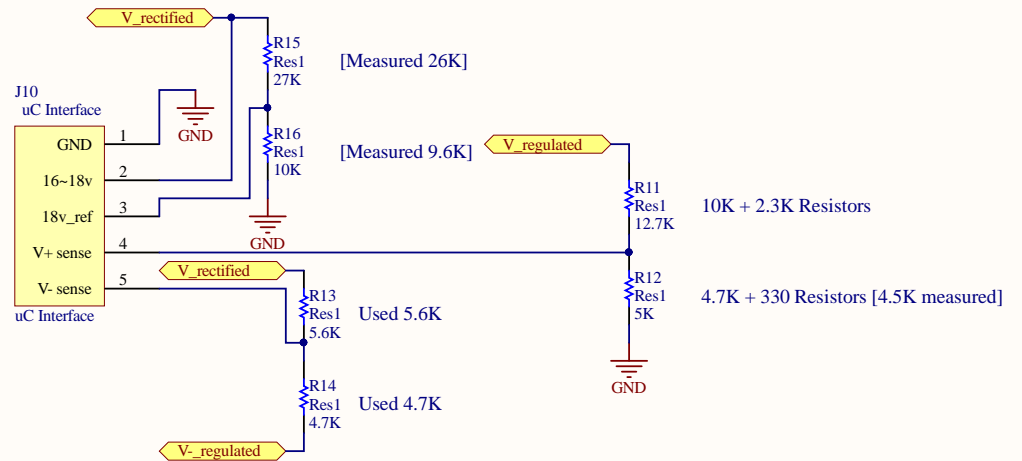
Power I/O



Physical Hardware



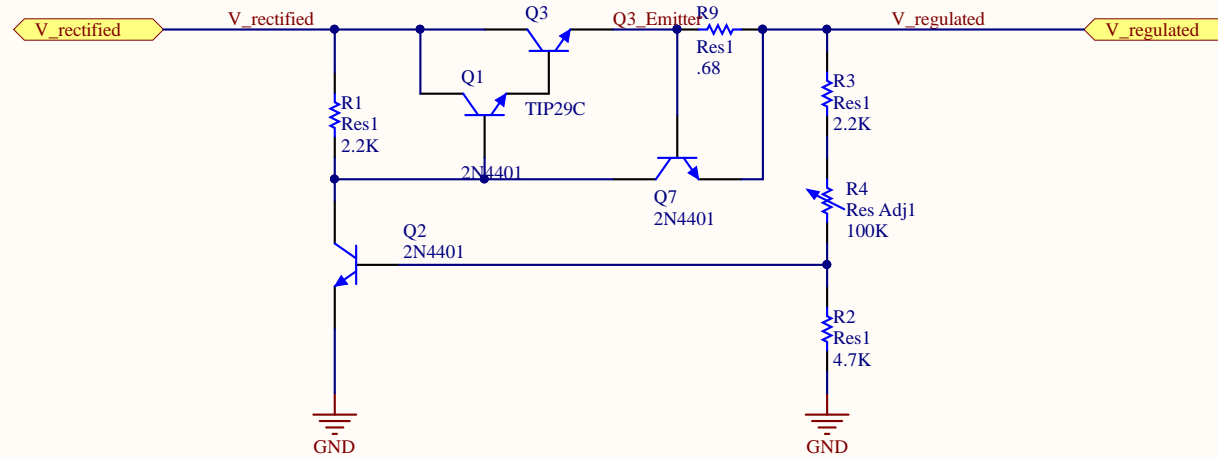
Microcontroller Interface



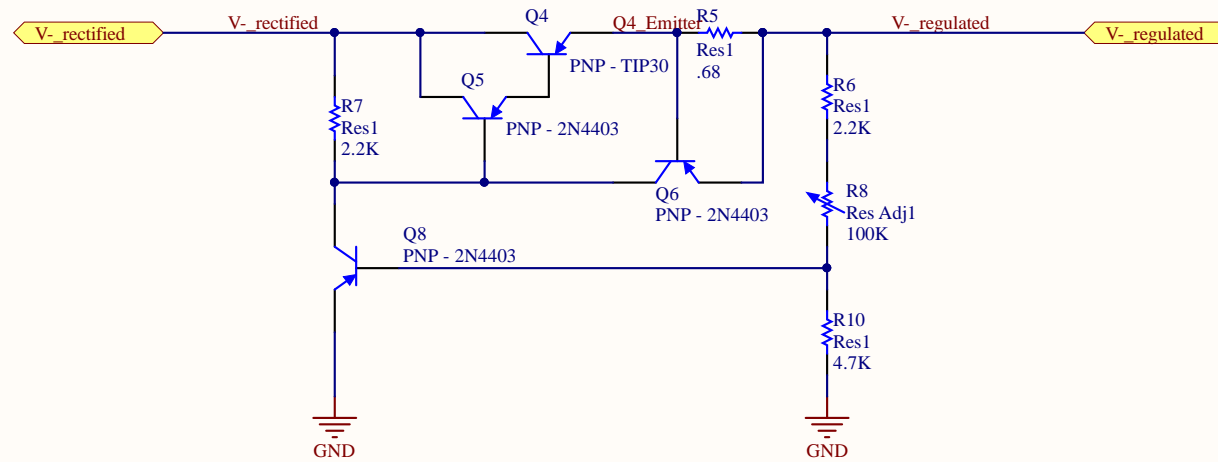
IMPORTANT NOTE: The voltage outputted by the "V- sense" output ranges from ~.1--7 volts in normal operation, which can damage your 5v uC.
In my final implementation, I added another external voltage regulator.

Designed by Nick McComb
See NickMcComb.net for more

Positive Voltage Regulator

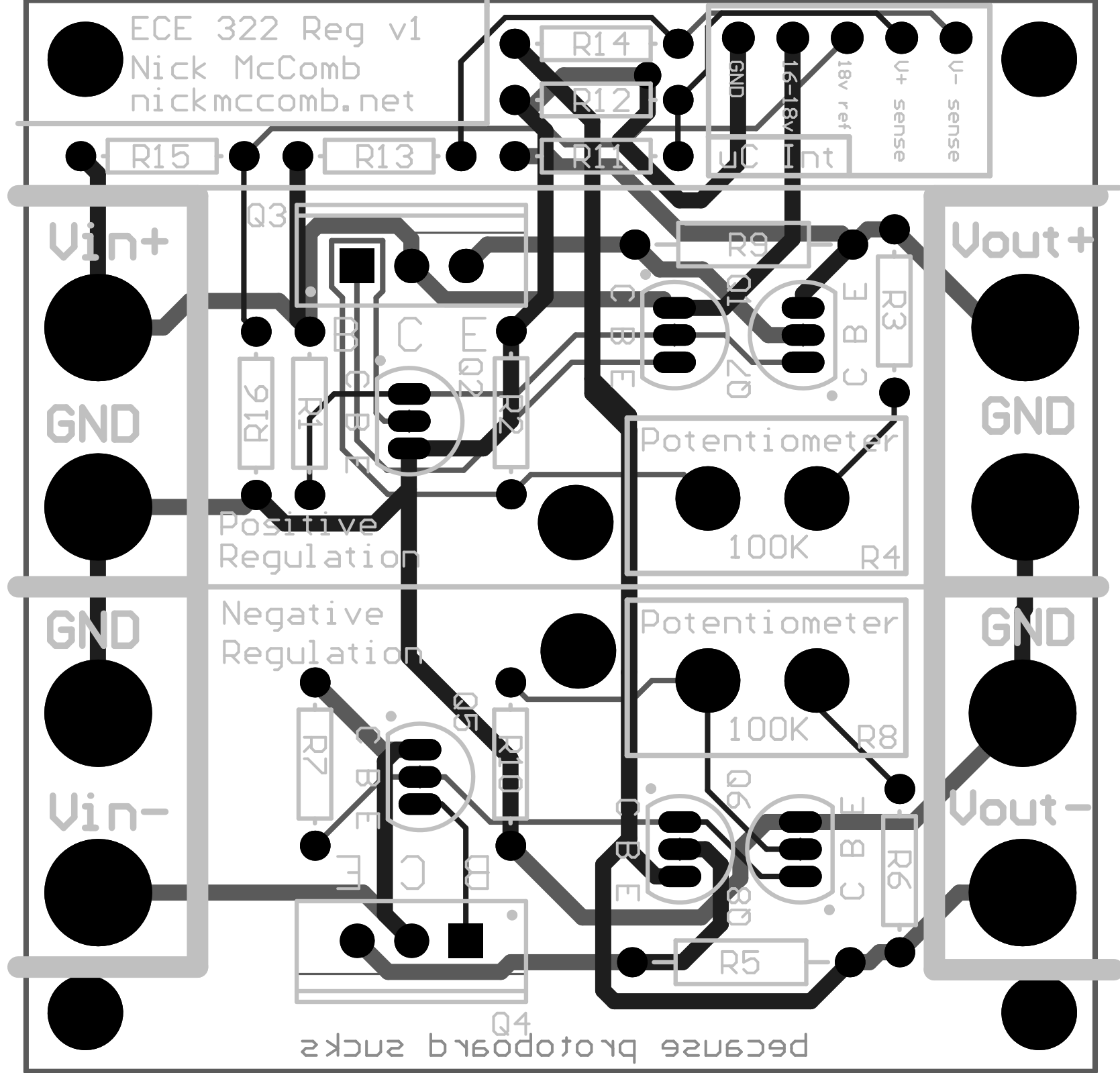


Negative Voltage Regulator



Designed by Nick McComb
See NickMcComb.net for more

ECE 322 Reg v1
Nick McComb
nickmccomb.net



because protoboard sucks