

NOTE: This document uses OLD molex pinouts

1

2

3

4

A

A

B

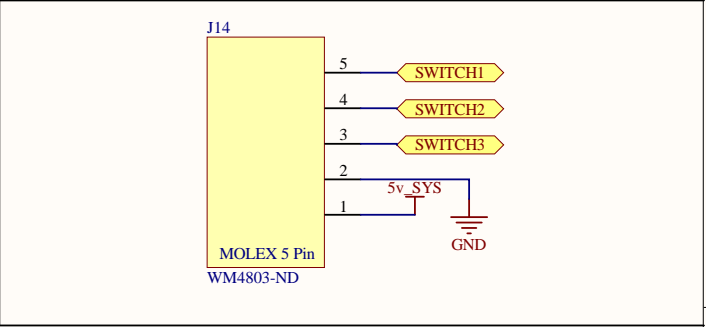
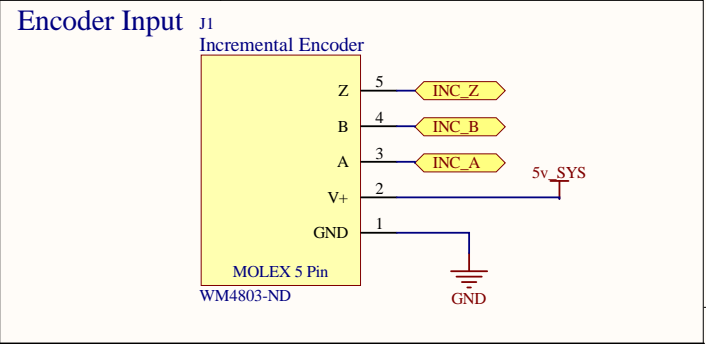
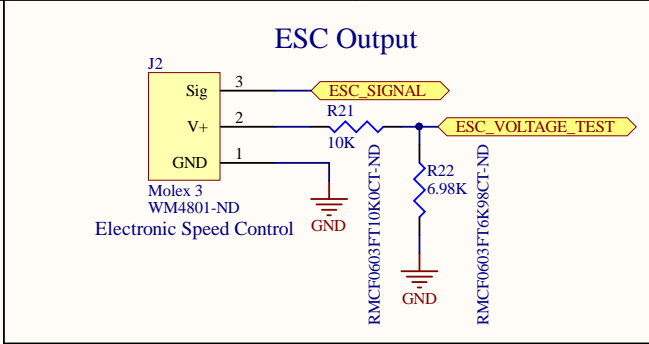
B

C

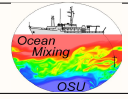
C

D

D



NOTE: This document uses OLD molex pinouts

Title Winch Interface.SchDoc			<i>Ocean Mixing Group</i> <i>Oregon State University</i> <i>Corvallis, OR</i>	
Size: A4	Number: 2	Engineer: Nick McComb		
Date: 7/6/2016	Time: 4:30:36 PM	Sheet 2 of 5	Revision: 2.1	
File: C:\Users\nrpic_000\Google Drive\PCB Designs\ROSSEBoxAuxillary\Winch Interface.SchDoc				

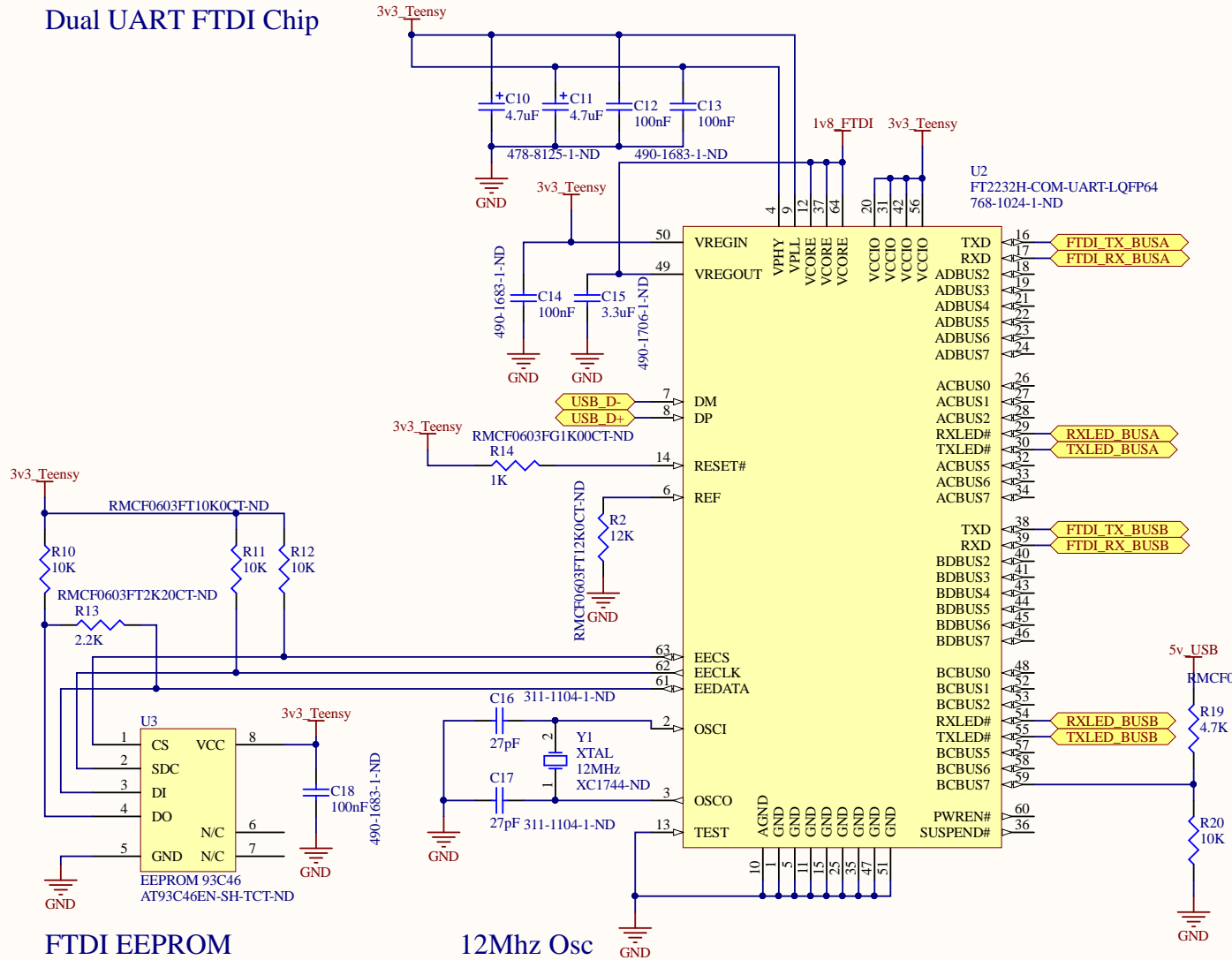
1

2

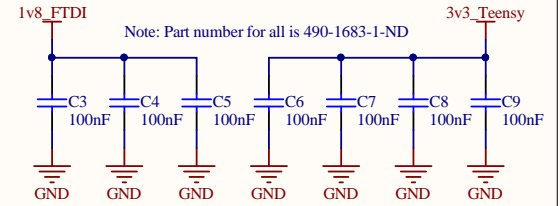
3

4

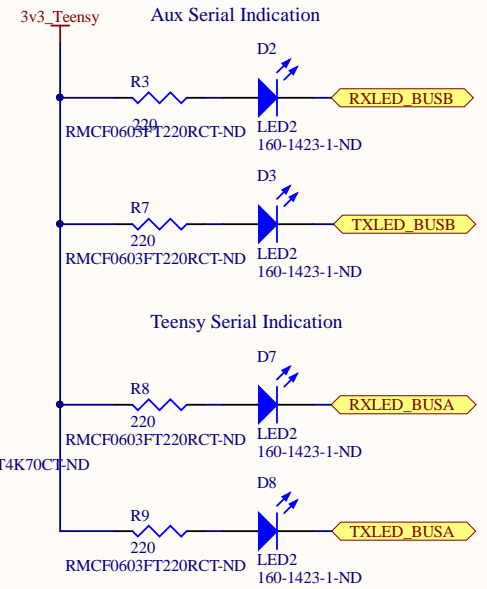
Dual UART FTDI Chip



Filtering Caps

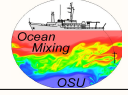


Status LEDs

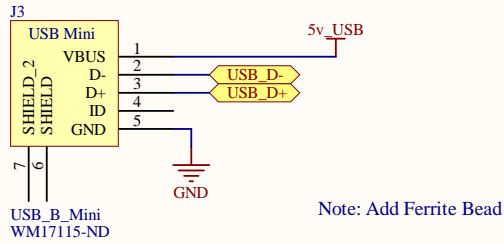


FTDI EEPROM

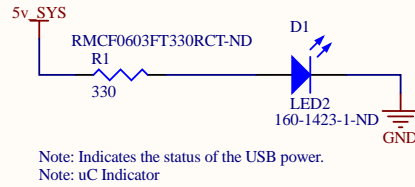
12Mhz Osc

Title FTDI.SchDoc			
Size: A4	Number: 3	Engineer: Nick McComb	
Date: 7/6/2016	Time: 4:30:36 PM	Sheet 3 of 5 Revision: 2.1	
File: C:\Users\nrpc_000\Google Drive\PCB Designs\ROSSEBoxAuxiliary\FTDI.SchDoc			

Microcontroller USB Connection

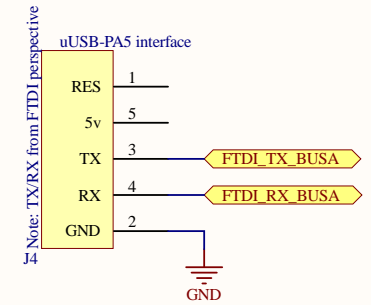


FTDI Status Indicators

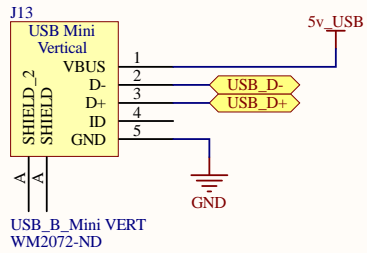


USB To Serial Backup

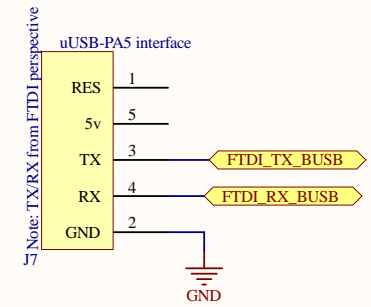
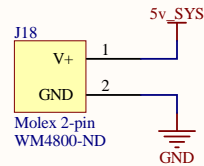
Note: Backup, do not populate unless onboard FTDI chips do not work



Vertical USB Port



Main Power Input



1

2

3

4

J8

Mounting Hole

MountingHole

J9

Mounting Hole

MountingHole

J10

Mounting Hole

MountingHole

J11

Mounting Hole

MountingHole

A

A

B

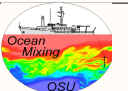
B

C

C

D

D

Title Hardware.SchDoc			<i>Ocean Mixing Group</i> <i>Oregon State University</i> <i>Corvallis, OR</i>	
Size: A4	Number: 5	Engineer: Nick McComb		
Date: 7/6/2016	Time: 4:30:36 PM	Sheet 5 of 5 Revision: 2.1		
File: C:\Users\nrpc_000\Google Drive\PCB Designs\ROSSEBoxAuxiliary\Hardware.SchDoc				

1

2

3

4

