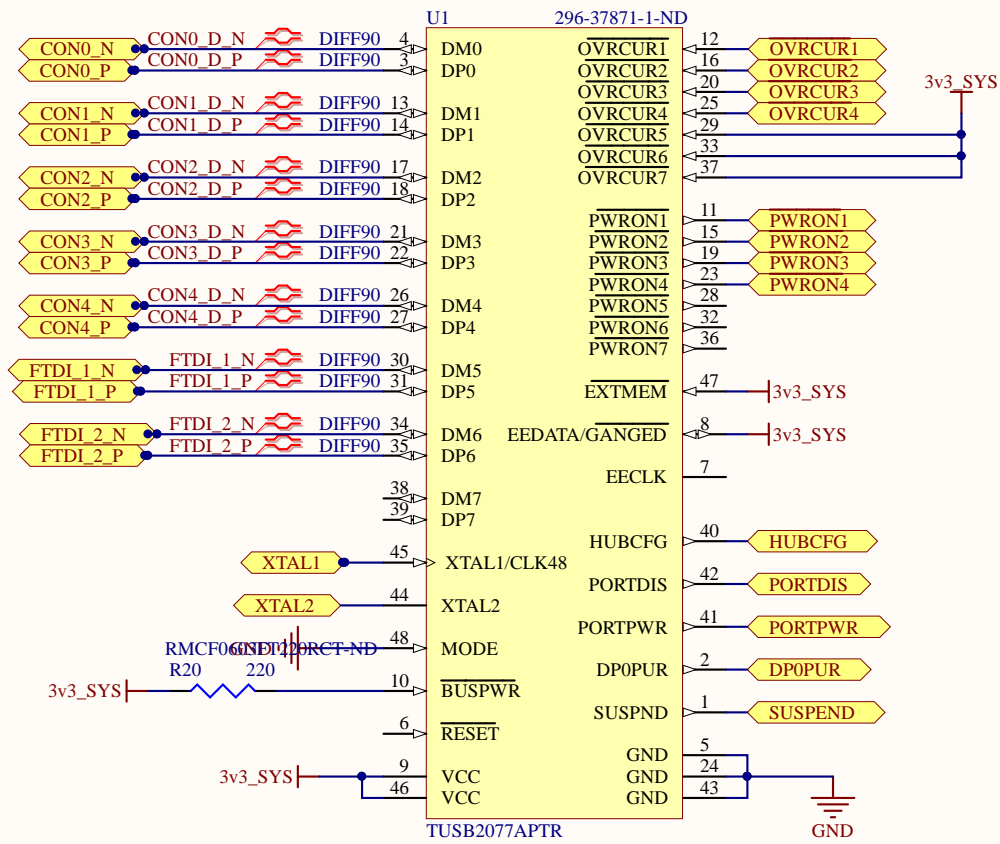
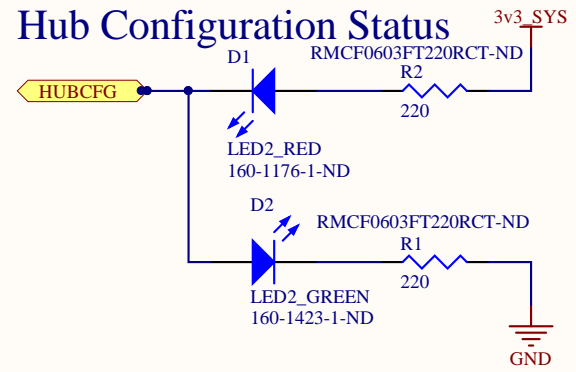


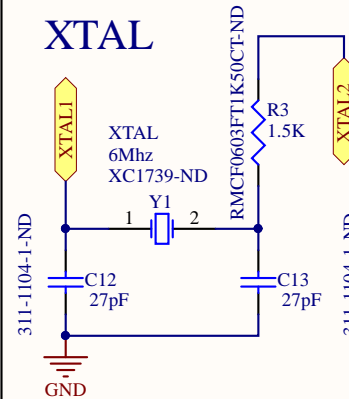
Hub Control IC



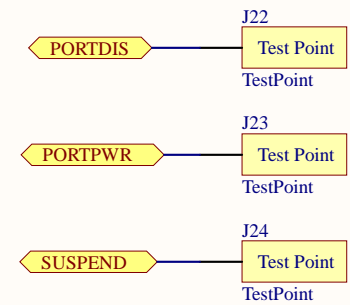
Hub Configuration Status



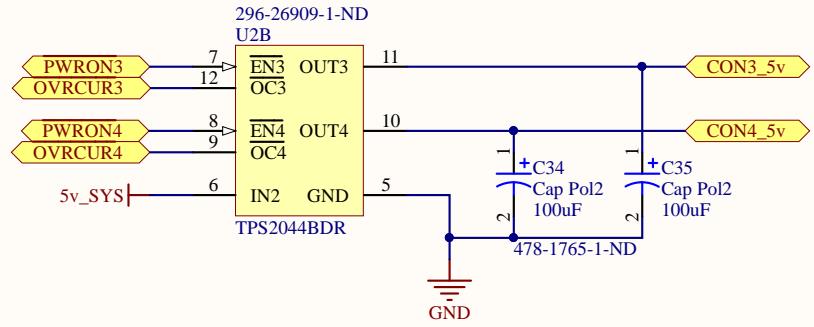
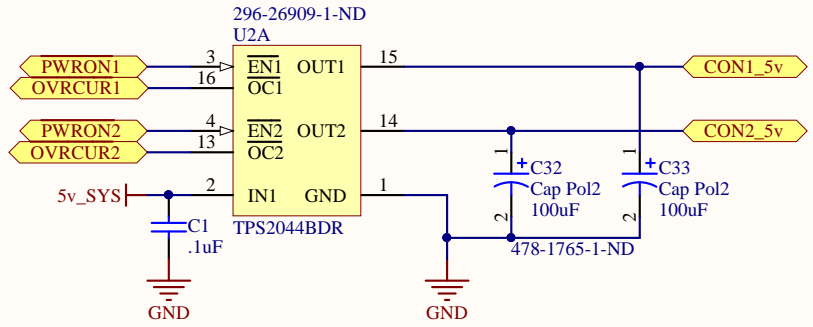
XTAL



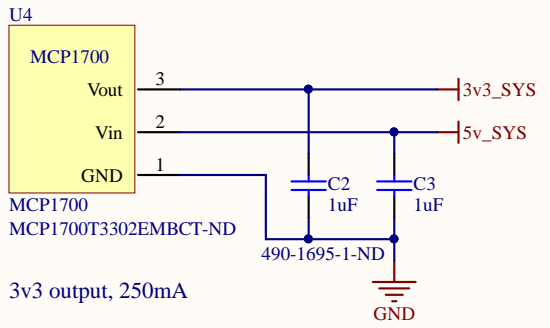
Test Points



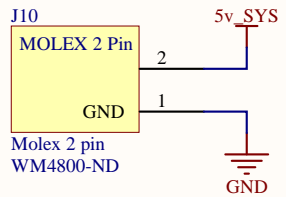
USB Downstream Power Management



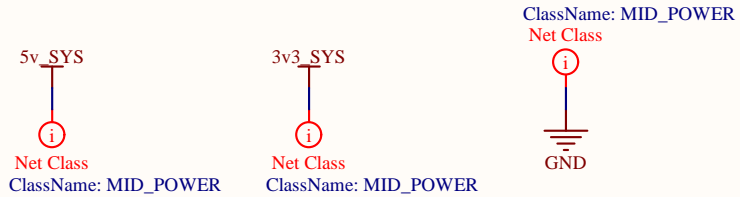
3v3 Regulation



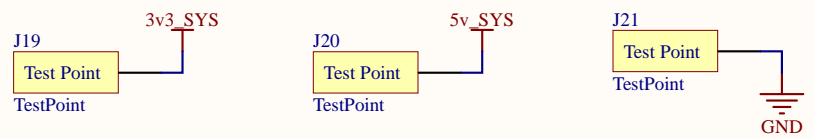
Power Input



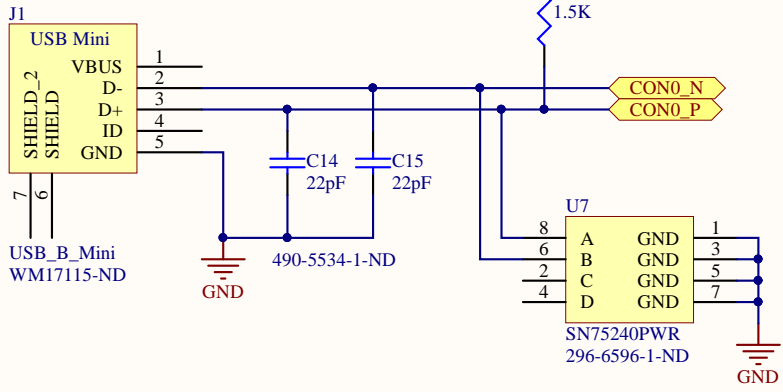
Power Net Classification



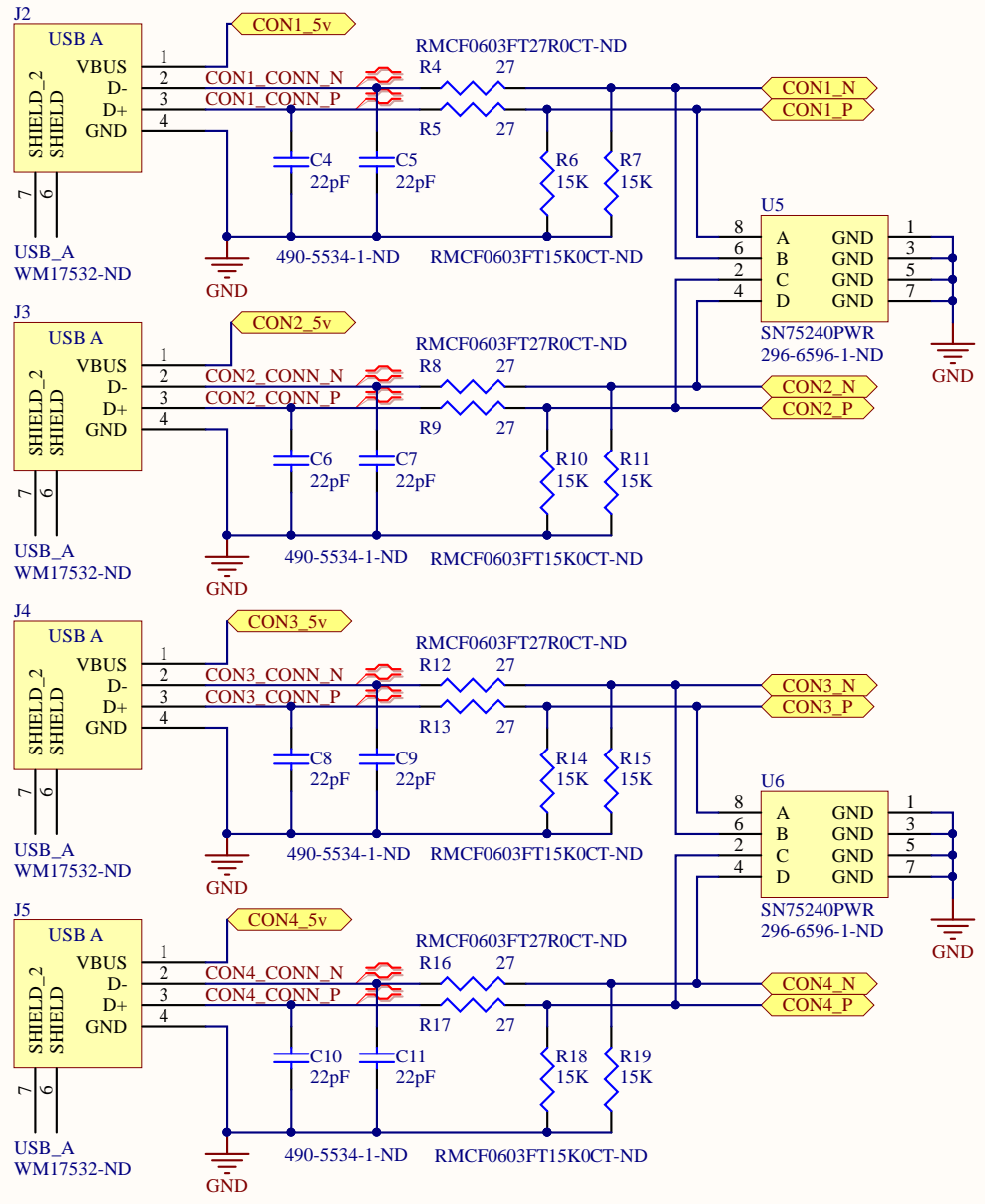
Test Points



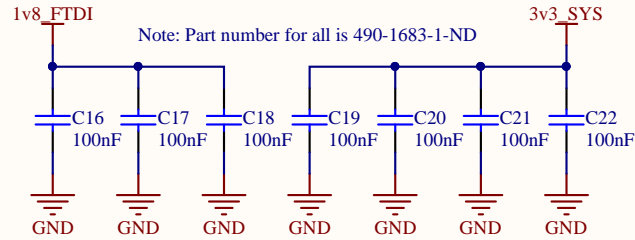
Upstream Port



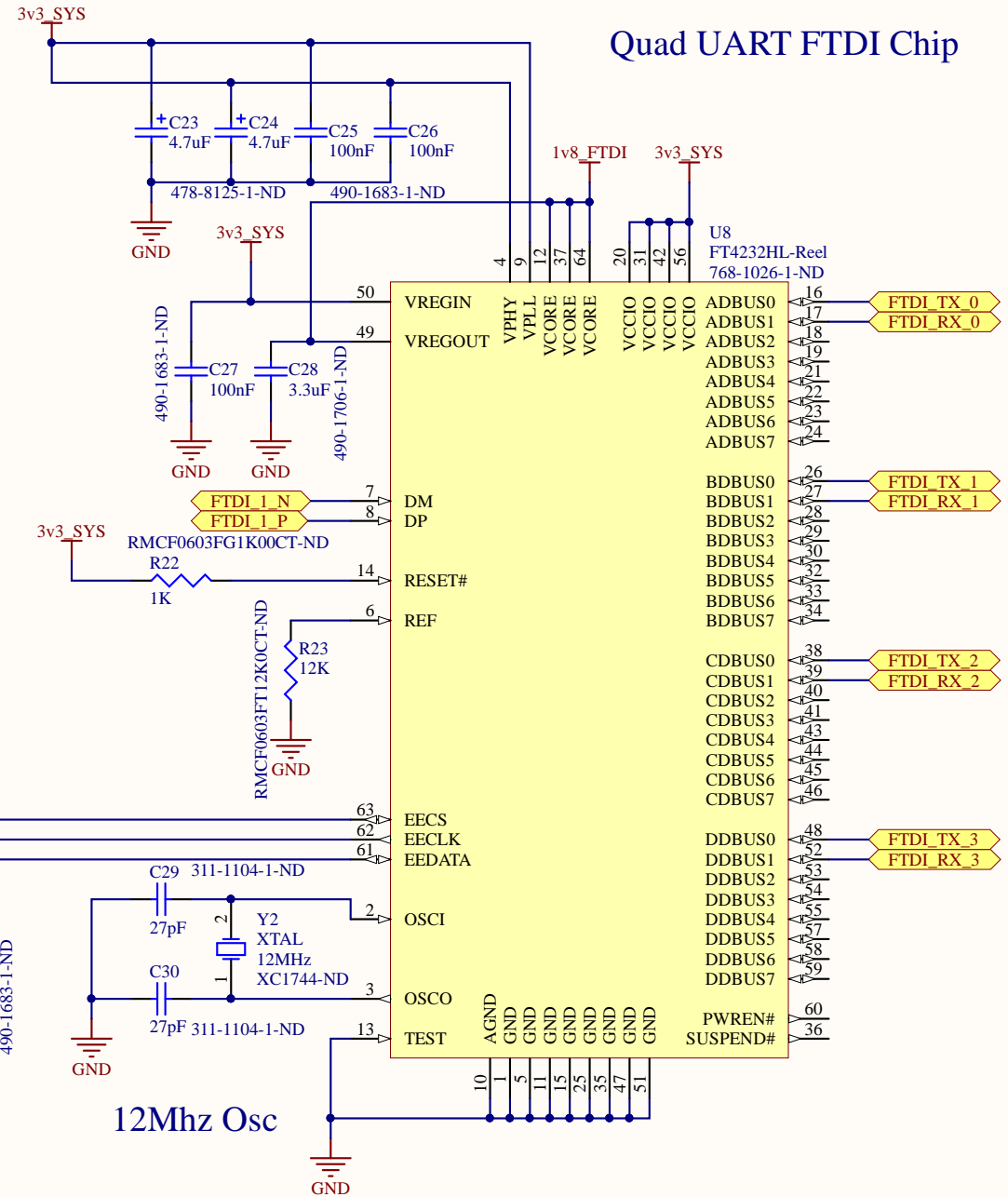
Downstream Ports



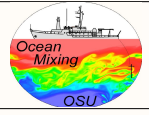
Filtering Caps



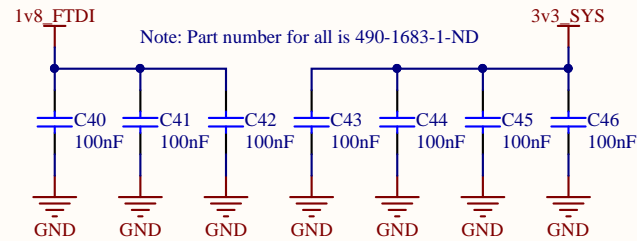
Quad UART FTDI Chip



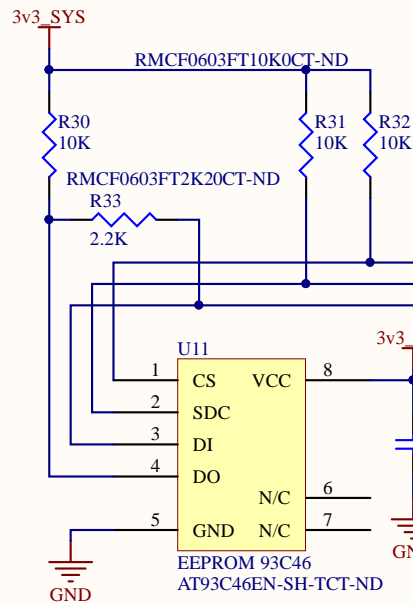
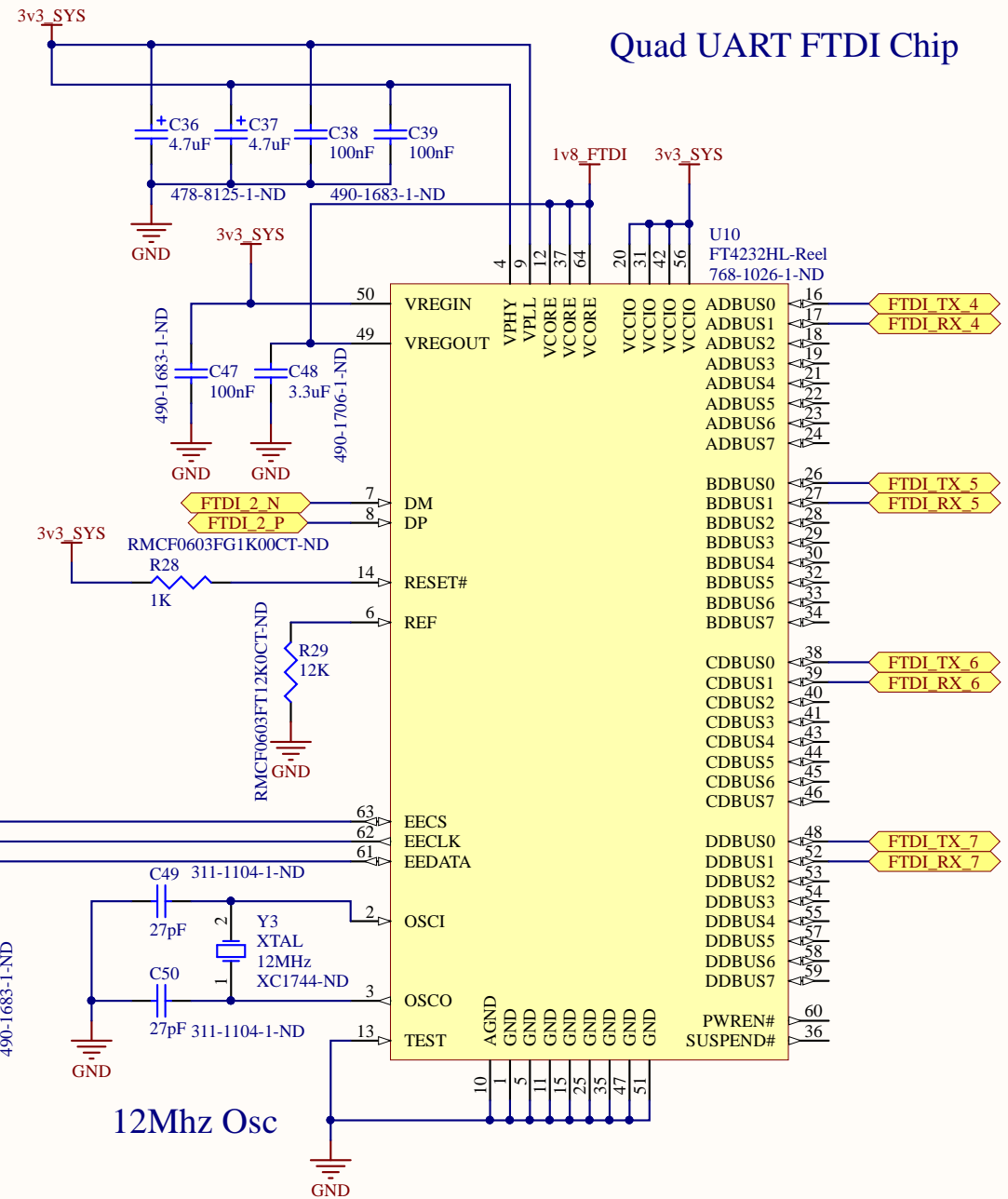
FTDI EEPROM

Title SerialQuadFTDI.SchDoc				 Ocean Mixing Group Oregon State University Corvallis, OR
Size: A4	Number: 4	Engineer: Nick McComb		
Date: 5/13/2016	Time: 9:54:15 AM	Sheet 4 of 7	Revision: 1.0	
File: C:\Users\nrpc_000\Google Drive\PCB Designs\ScienceSerialAdapter\SerialQuadFTDI.SchDoc				

Filtering Caps



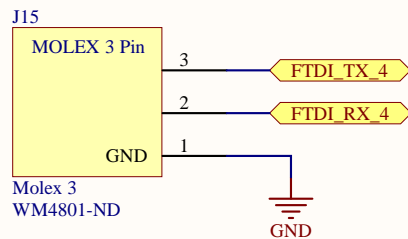
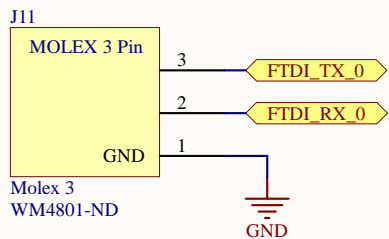
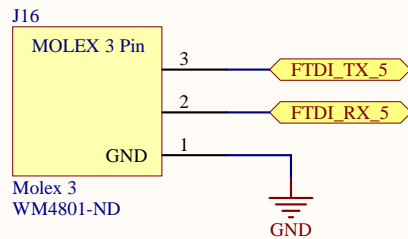
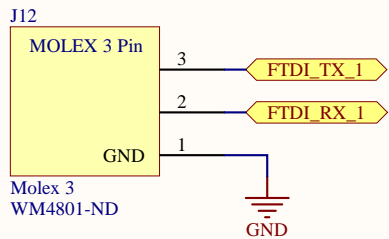
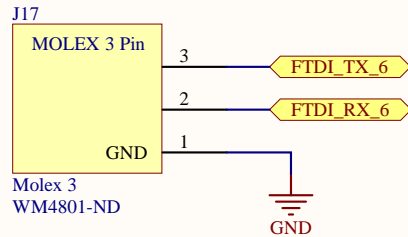
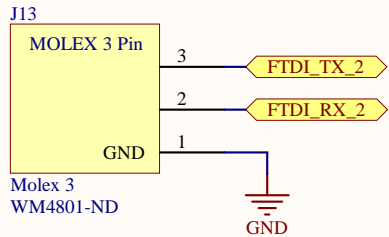
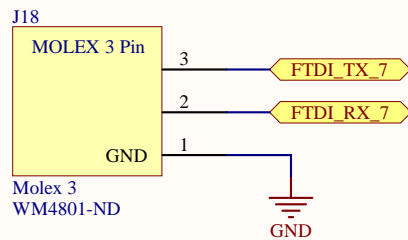
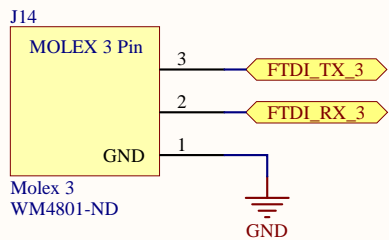
Quad UART FTDI Chip



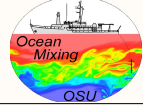
FTDI EEPROM

12Mhz Osc

Serial Interfaces



Note: This document contains the correct Molex pinouts.

Title SerialInterfaces.SchDoc			
Size: A4	Number: 6	Engineer: Nick McComb	
Date: 5/13/2016	Time: 9:54:15 AM	Sheet 6 of 7 Revision: 1.0	
File: C:\Users\nrpc_000\Google Drive\PCB Designs\ScienceSerialAdapter\SerialInterfaces.SchDoc			

1

2

3

4

J6

Mounting Hole
MountingHoles

J7

Mounting Hole
MountingHoles

J8

Mounting Hole
MountingHoles

J9

Mounting Hole
MountingHoles

A

A

B

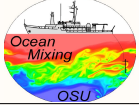
B

C

C

D

D

Title Hardware.SchDoc				<i>Ocean Mixing Group</i> <i>Oregon State University</i> <i>Corvallis, OR</i>	
Size: A4	Number: 7	Engineer: Nick McComb			
Date: 5/13/2016	Time: 9:54:15 AM	Sheet 7 of 7	Revision: 1.0		
File: C:\Users\nrpc_000\Google Drive\PCB Designs\ScienceSerialAdapter\Hardware.SchDoc					

1

2

3

4

10.00

7.00

Science Serial Adapter

Nick McComb | nickmccomb.net/pcb
Ocean Mixing Group

V1

