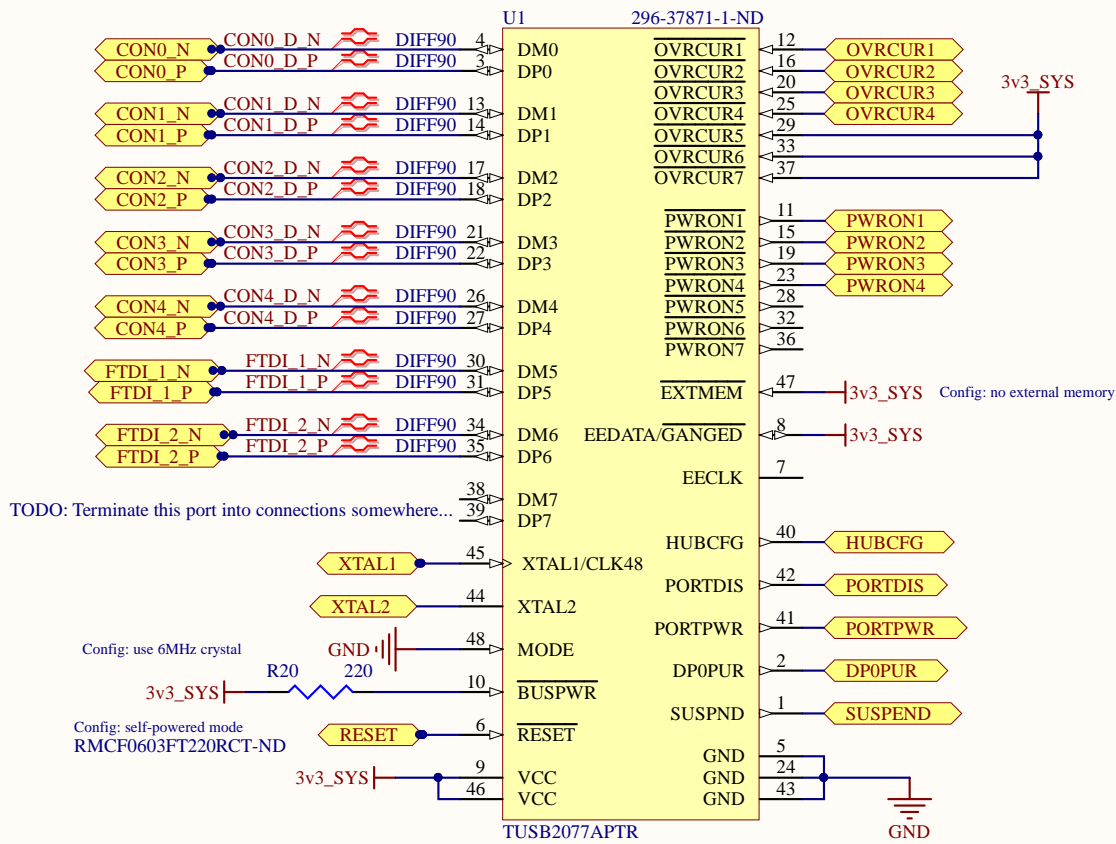
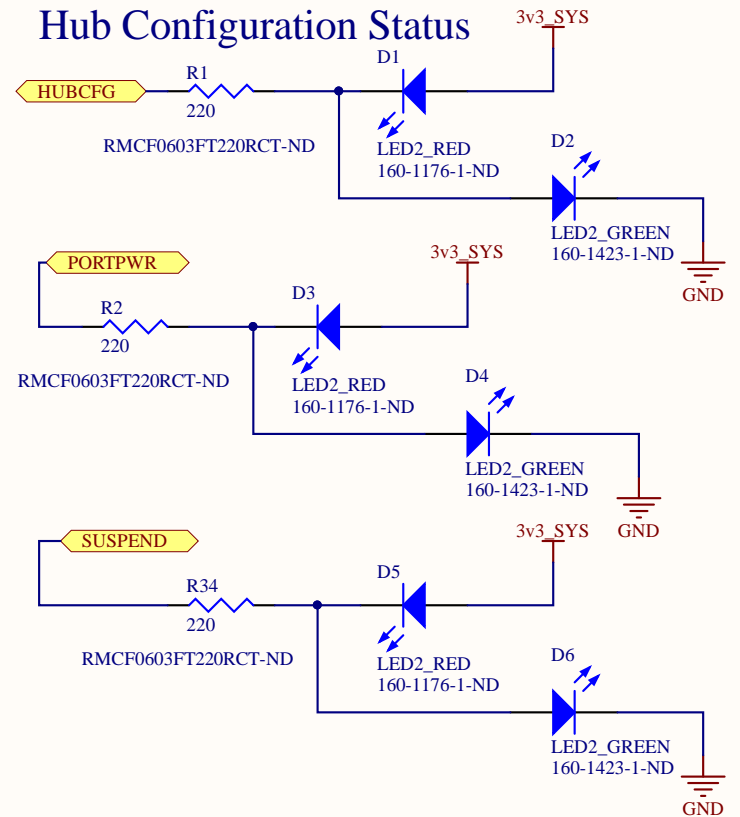


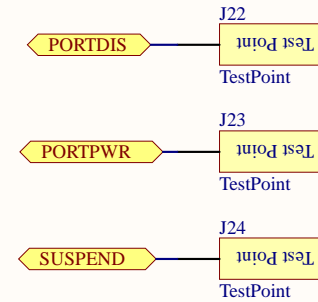
# Hub Control IC



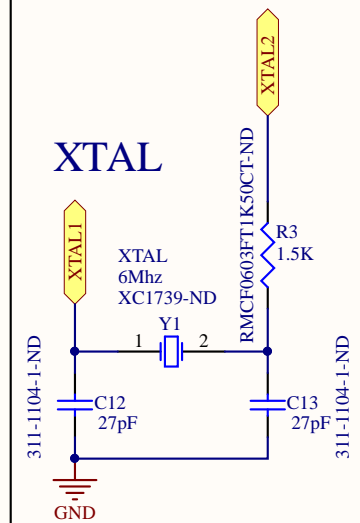
# Hub Configuration Status



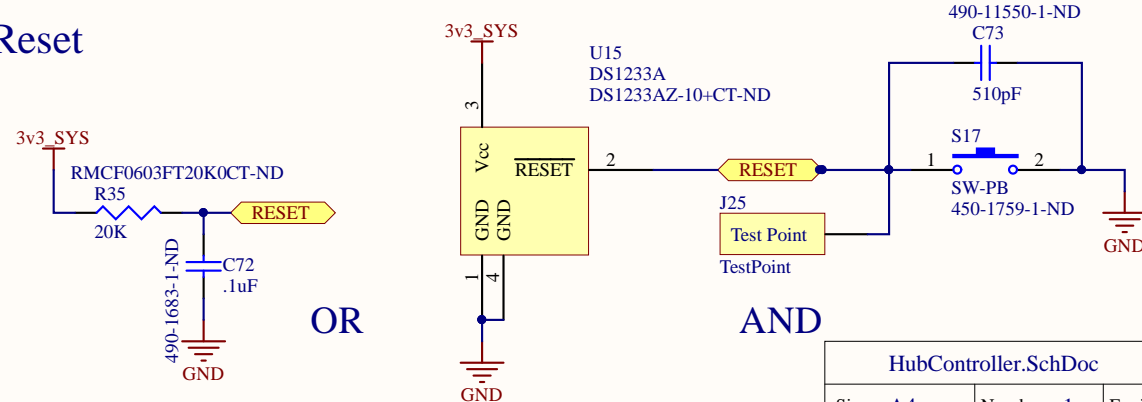
# Test Points



# XTAL

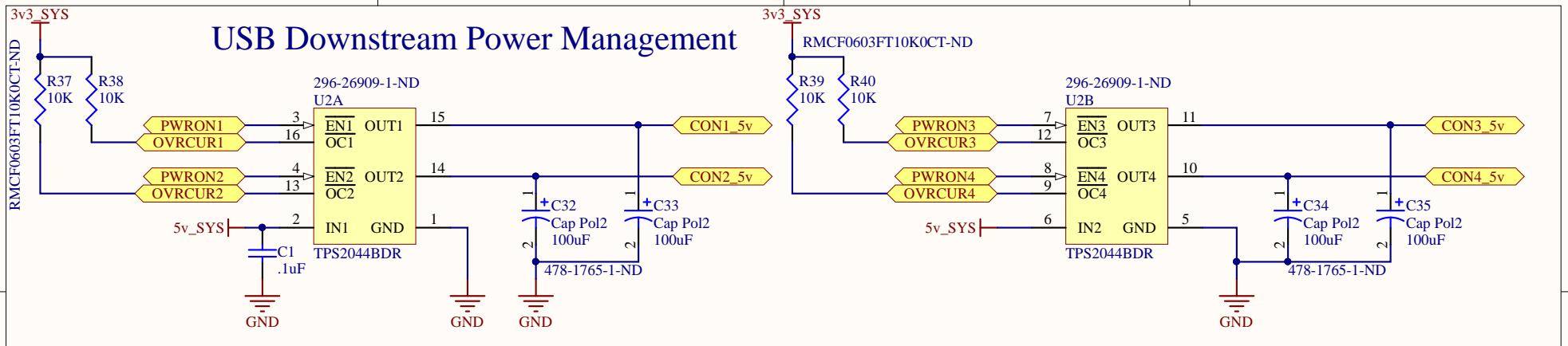


# Reset

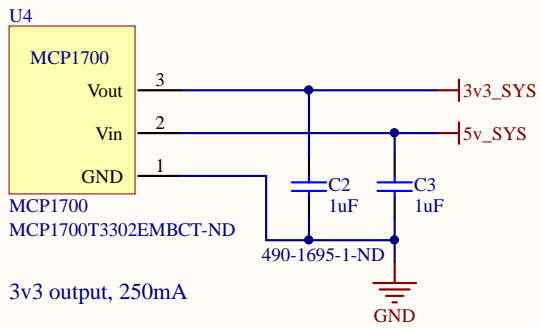


HubController.SchDoc				
Size: A4	Number: 1	Engineer: Nick McComb		
Date: 2/14/2017	Time: 9:37:34 AM	Sheet 1 of 7	Revision: 2	
File: C:\Users\Nick\Google Drive\Projects\PCB Designs\ScienceSerialAdapter\HubController.SchDoc				

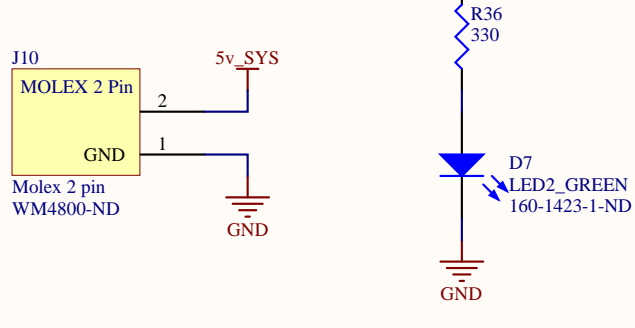
# USB Downstream Power Management



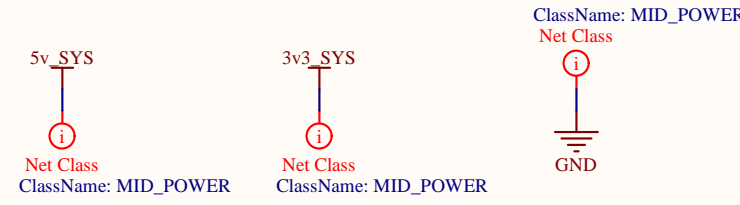
## 3v3 Regulation



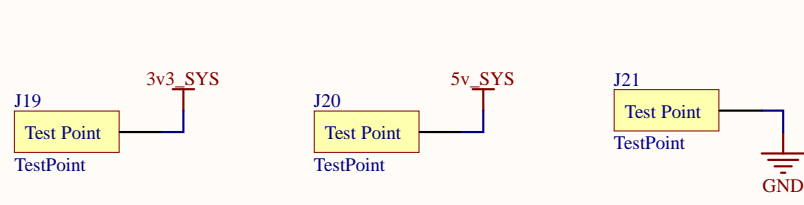
## Power Input



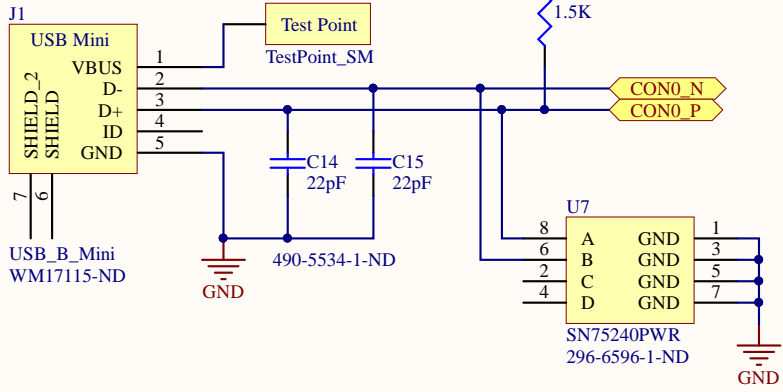
## Power Net Classification



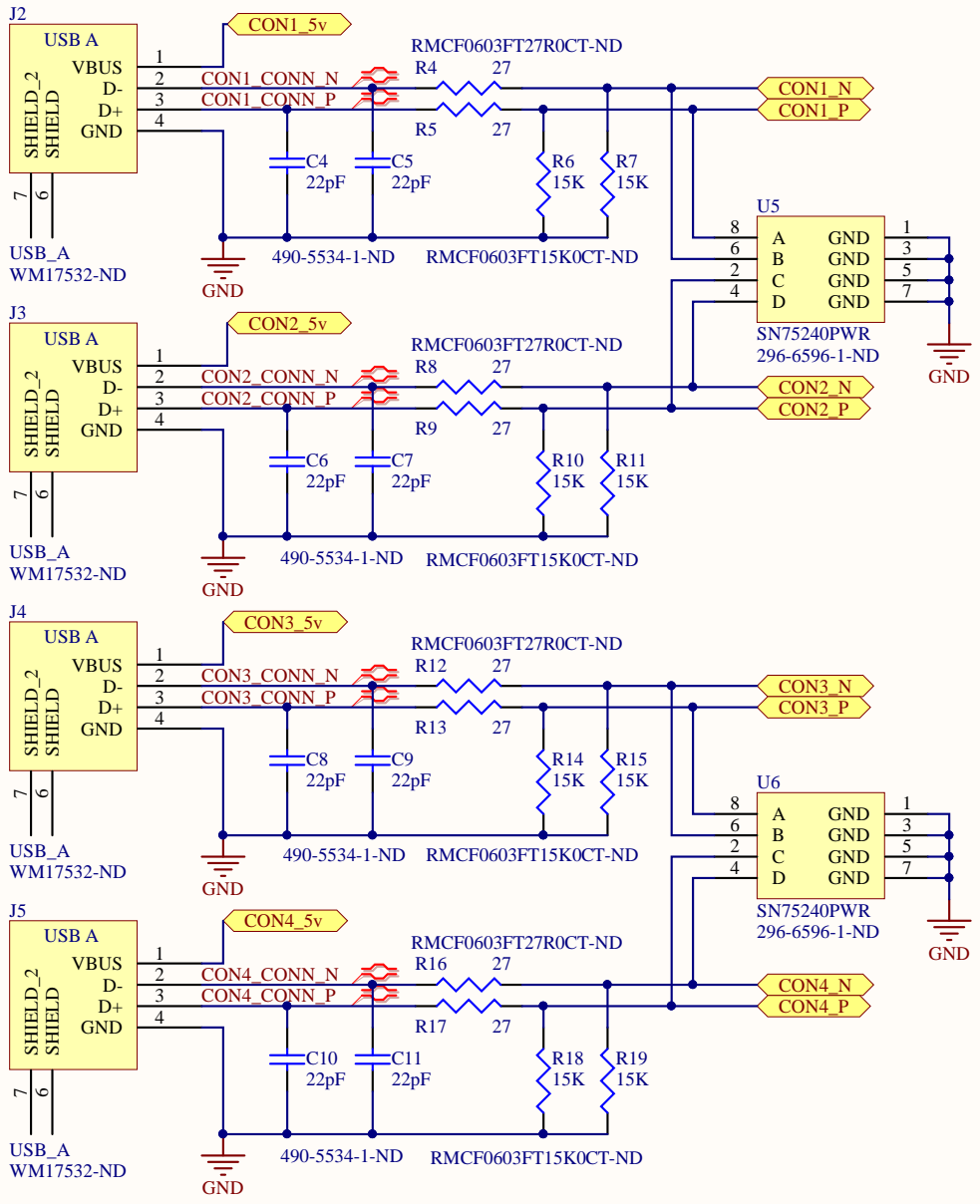
## Test Points



# Upstream Port

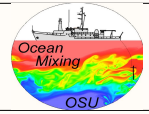


# Downstream Ports

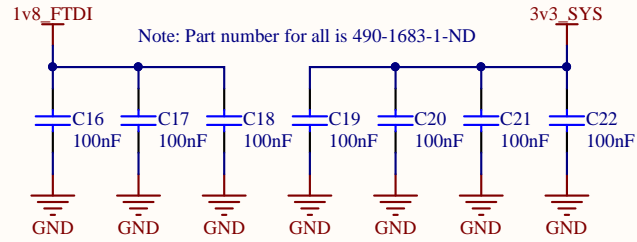


Title HubInterface.SchDoc			
Size: A4	Number: 3	Engineer: Nick McComb	
Date: 2/14/2017	Time: 9:37:34 AM	Sheet 3 of 7	Revision: 2
File: C:\Users\Nick\Google Drive\Projects\PCB Designs\ScienceSerialAdapter\HubInterface.SchDoc			

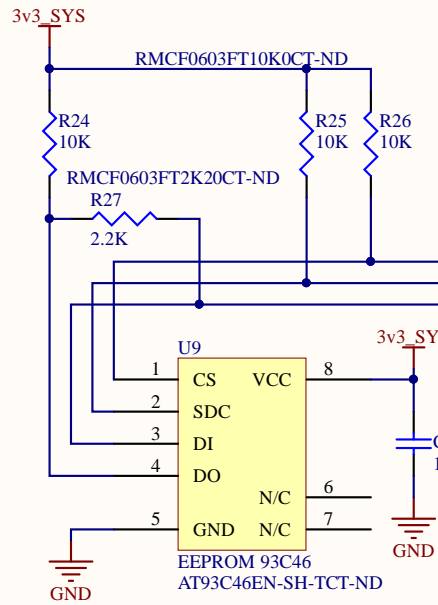
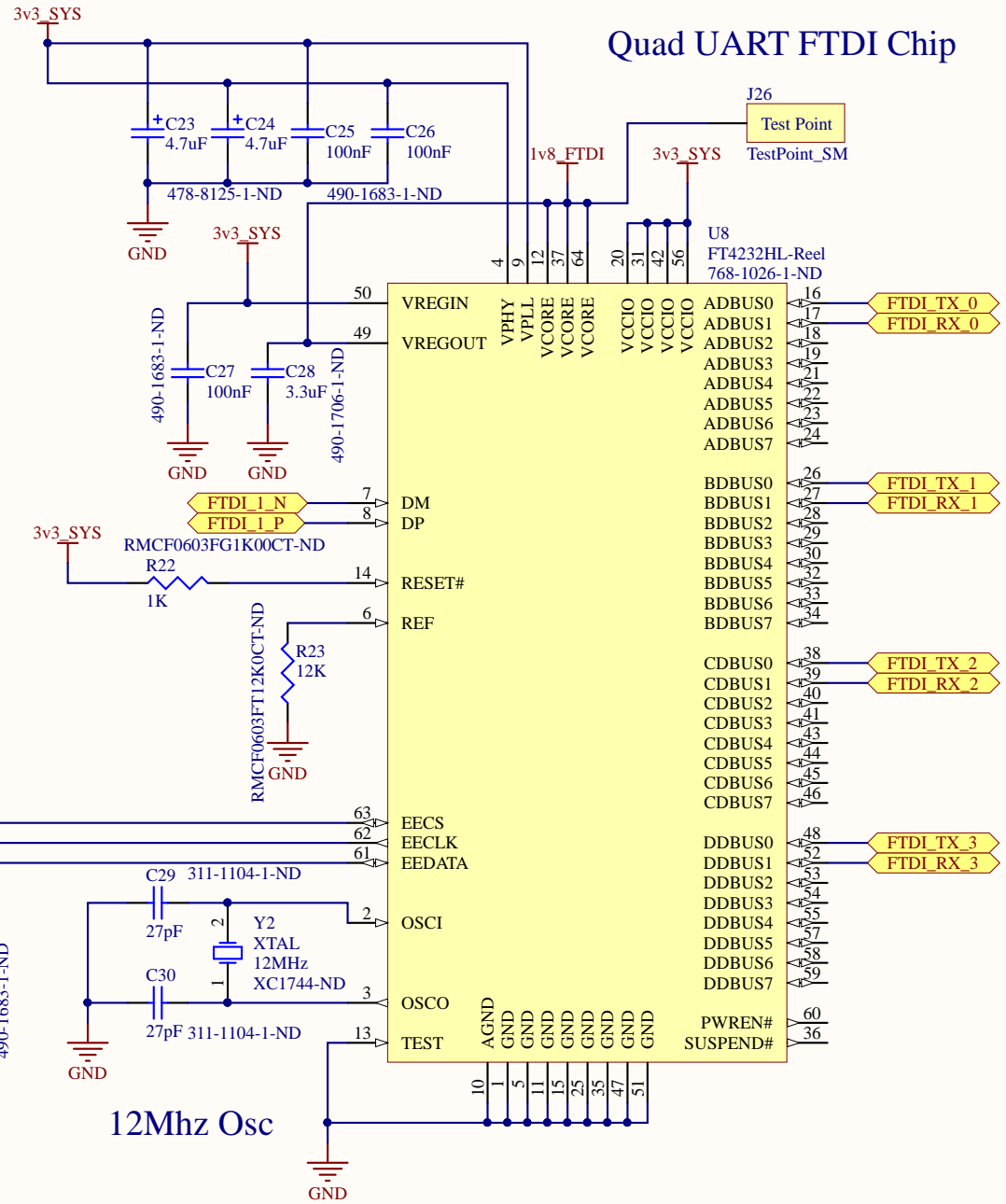
Ocean Mixing Group  
Oregon State University  
Corvallis, OR



# Filtering Caps



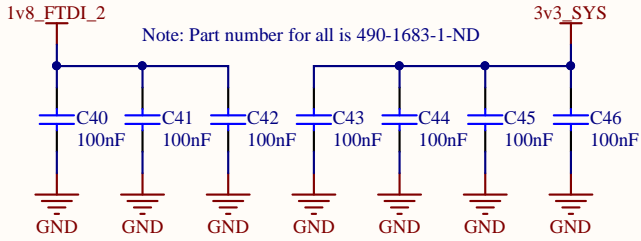
# Quad UART FTDI Chip



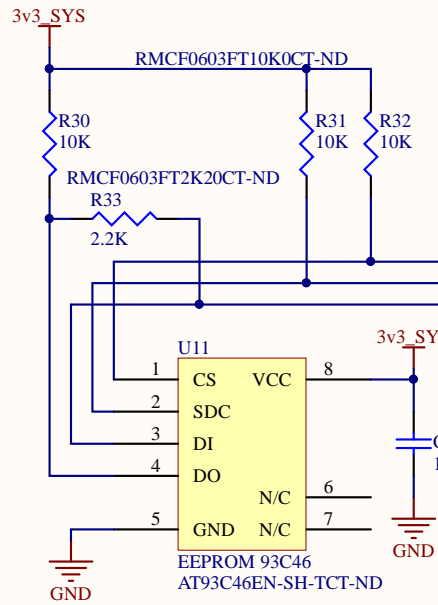
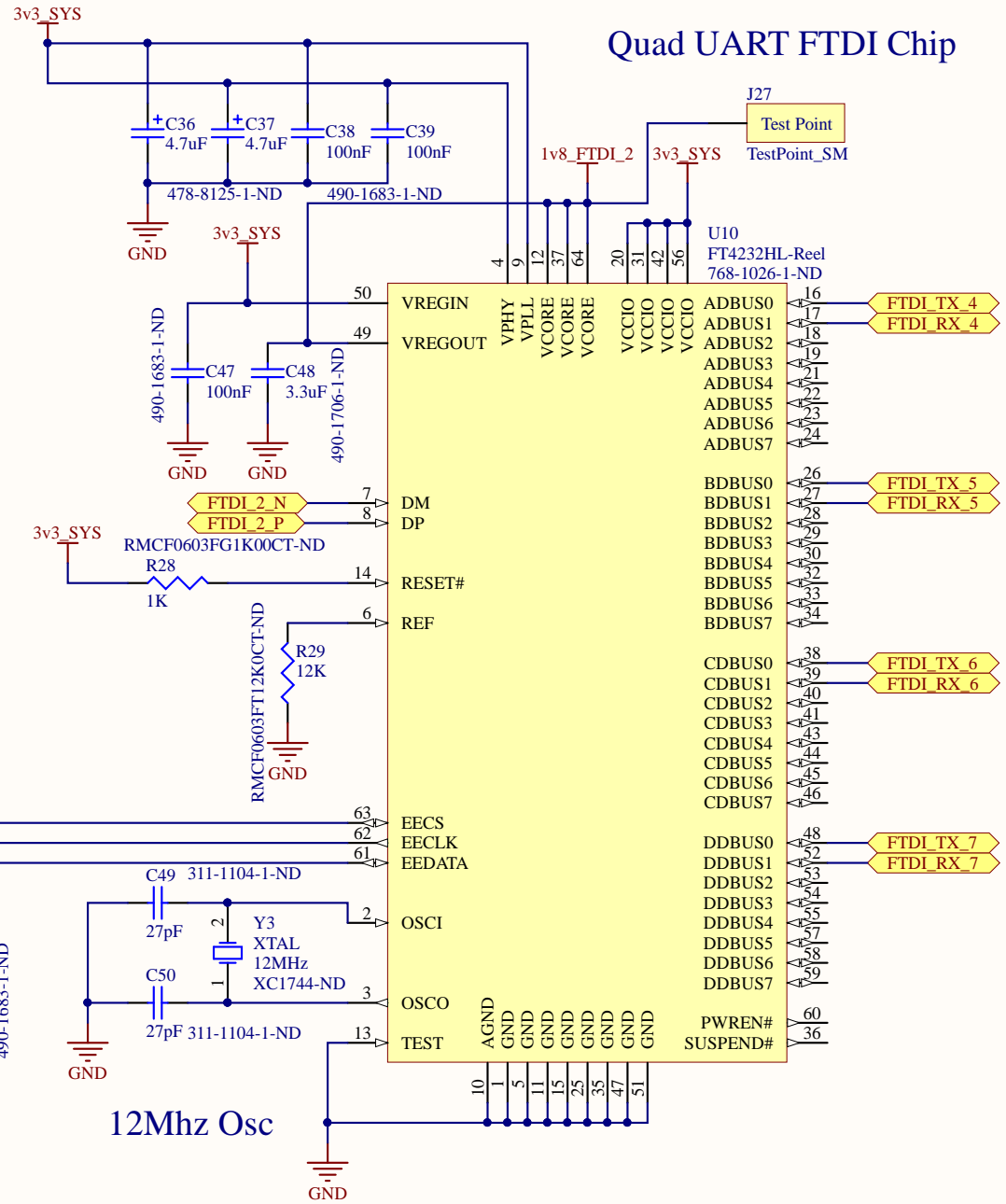
## 12Mhz Osc

## FTDI EEPROM

# Filtering Caps

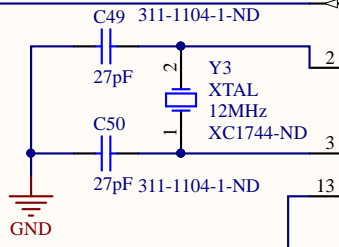


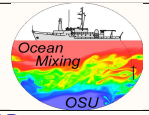
# Quad UART FTDI Chip



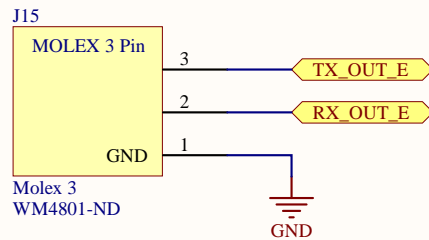
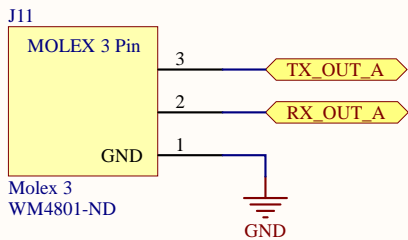
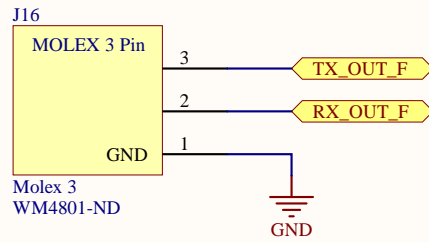
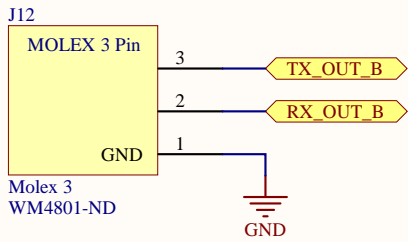
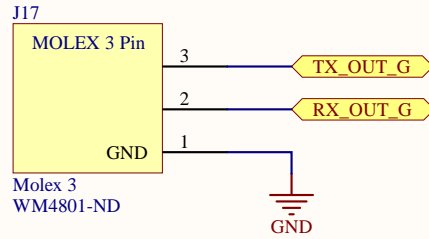
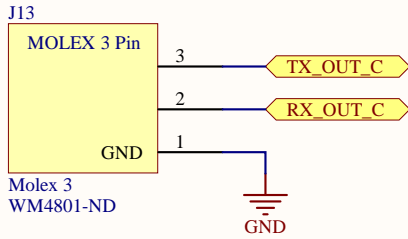
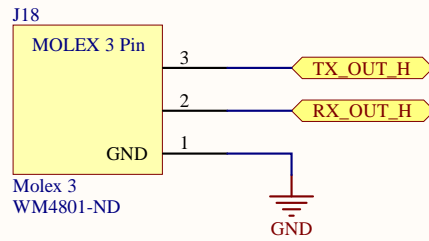
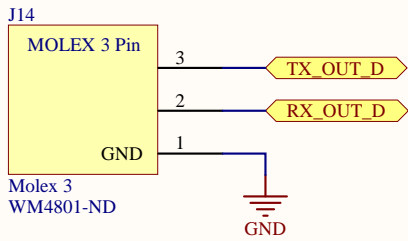
# FTDI EEPROM

# 12Mhz Osc

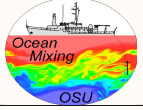


Title SerialQuadFTDI_2.SchDoc			 Ocean Mixing Group Oregon State University Corvallis, OR
Size: A4	Number: 5	Engineer: Nick McComb	
Date: 2/14/2017	Time: 9:37:34 AM	Sheet 5 of 7   Revision: 2	
File: C:\Users\Nick\Google Drive\Projects\PCB Designs\ScienceSerialAdapter\SerialQuadFTDI_2.SchDoc			

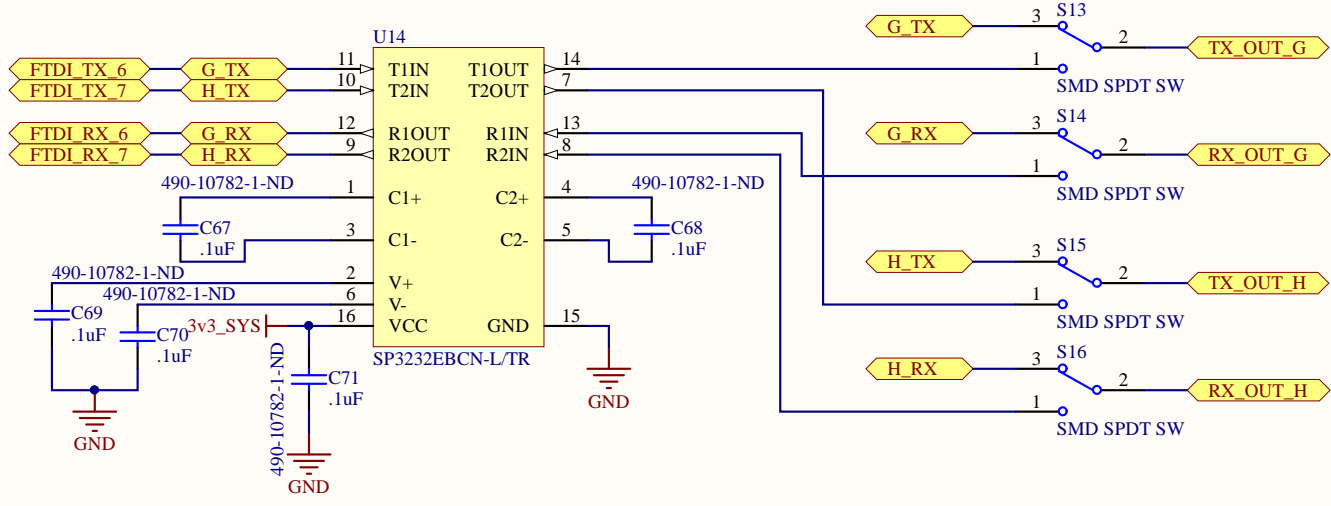
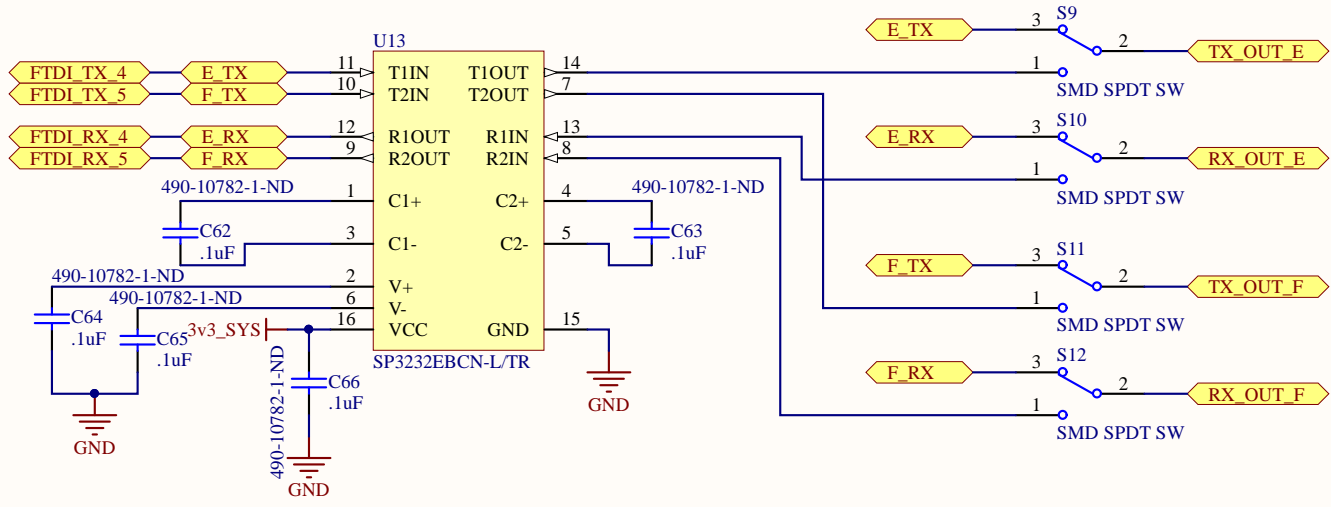
# Serial Interfaces



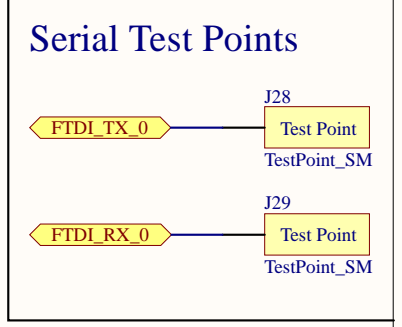
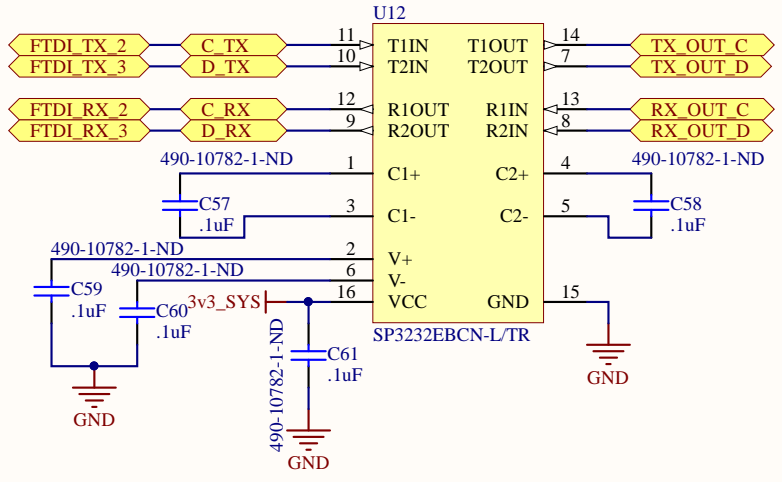
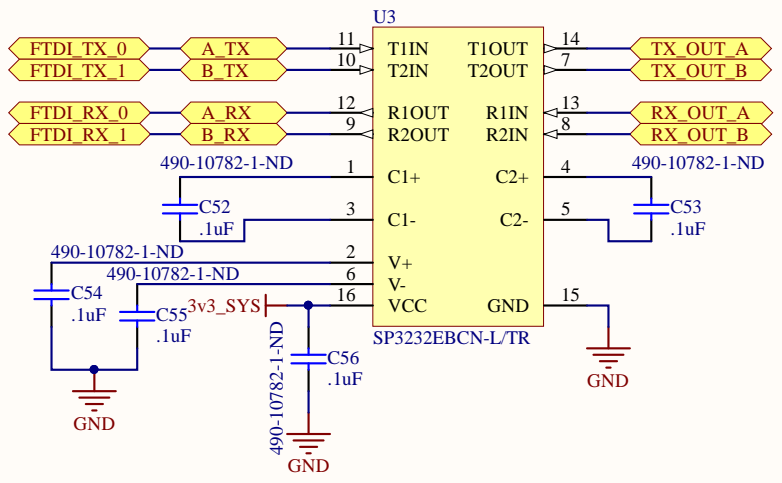
Note: This document contains the correct Molex pinouts.

Title SerialInterfaces.SchDoc				
Size: A4	Number: 6	Engineer: Nick McComb		
Date: 2/14/2017	Time: 9:37:34 AM	Sheet 6 of 7	Revision: 2	
File: C:\Users\Nick\Google Drive\Projects\PCB Designs\ScienceSerialAdapter\SerialInterfaces.SchDoc				

# Serial 4 - Serial 7



# Serial 0 - Serial 3 (Only RS232)





1

2

3

4

J6

Mounting Hole  
MountingHoles

J7

Mounting Hole  
MountingHoles

J8

Mounting Hole  
MountingHoles

J9

Mounting Hole  
MountingHoles

A

A

B

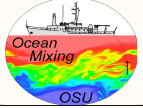
B

C

C

D

D

Title <b>Hardware.SchDoc</b>				<i>Ocean Mixing Group</i> <i>Oregon State University</i> <i>Corvallis, OR</i>	
Size: <b>A4</b>	Number: <b>7</b>	Engineer: <b>Nick McComb</b>			
Date: <b>2/14/2017</b>	Time: <b>9:37:35 AM</b>	Sheet <b>7</b> of <b>7</b>	Revision: <b>2</b>		
File: <b>C:\Users\Nick\Google Drive\Projects\PCB Designs\ScienceSerialAdapter\Hardware.SchDoc</b>					

1

2

3

4

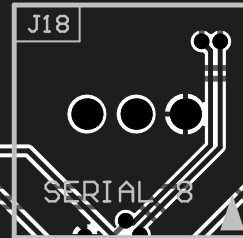
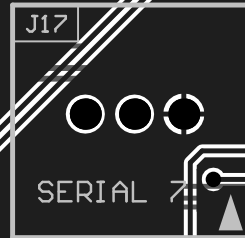
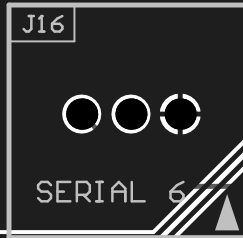
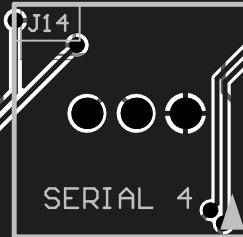
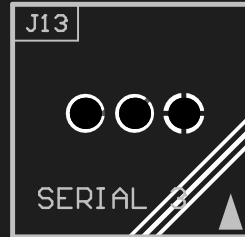
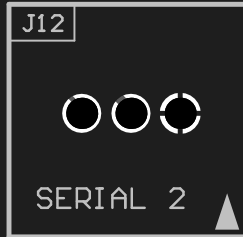
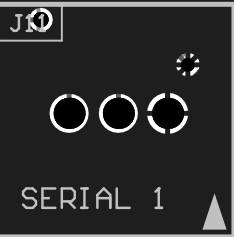
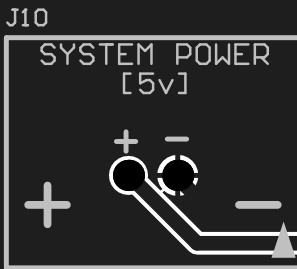
10.00

C29

# Science Serial Adapter

Nick McComb | nickmccomb.net/pcb  
Ocean Mixing Group

V2



TX RX GND

USB5

OK ERROR

HUB RESET

SUS PHR DIS RESET

S/N

7.00

