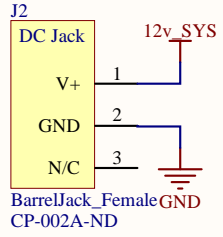
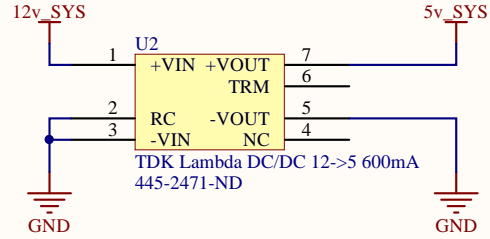


# Power Input

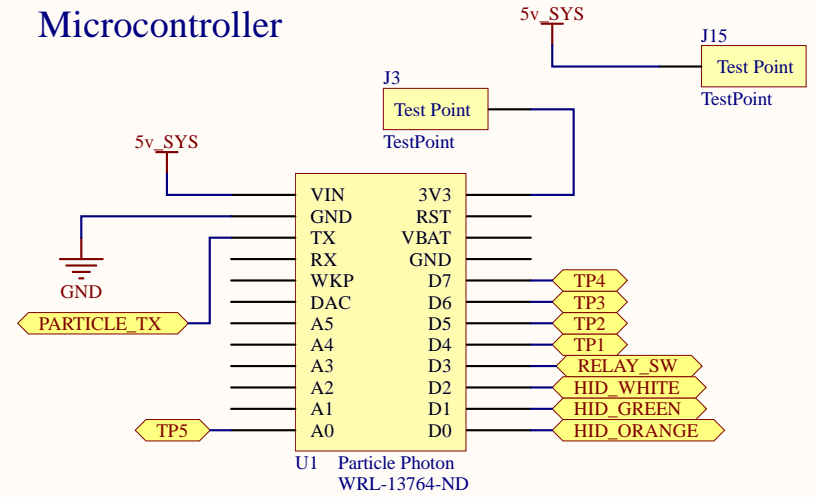


Fuse?

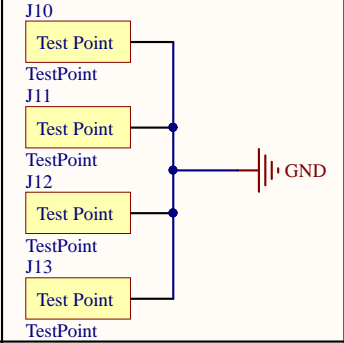
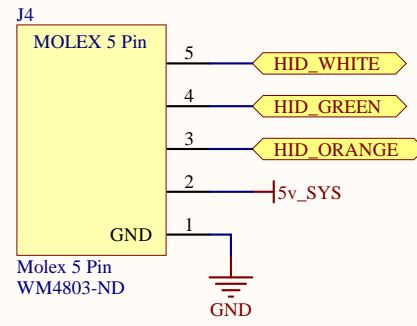
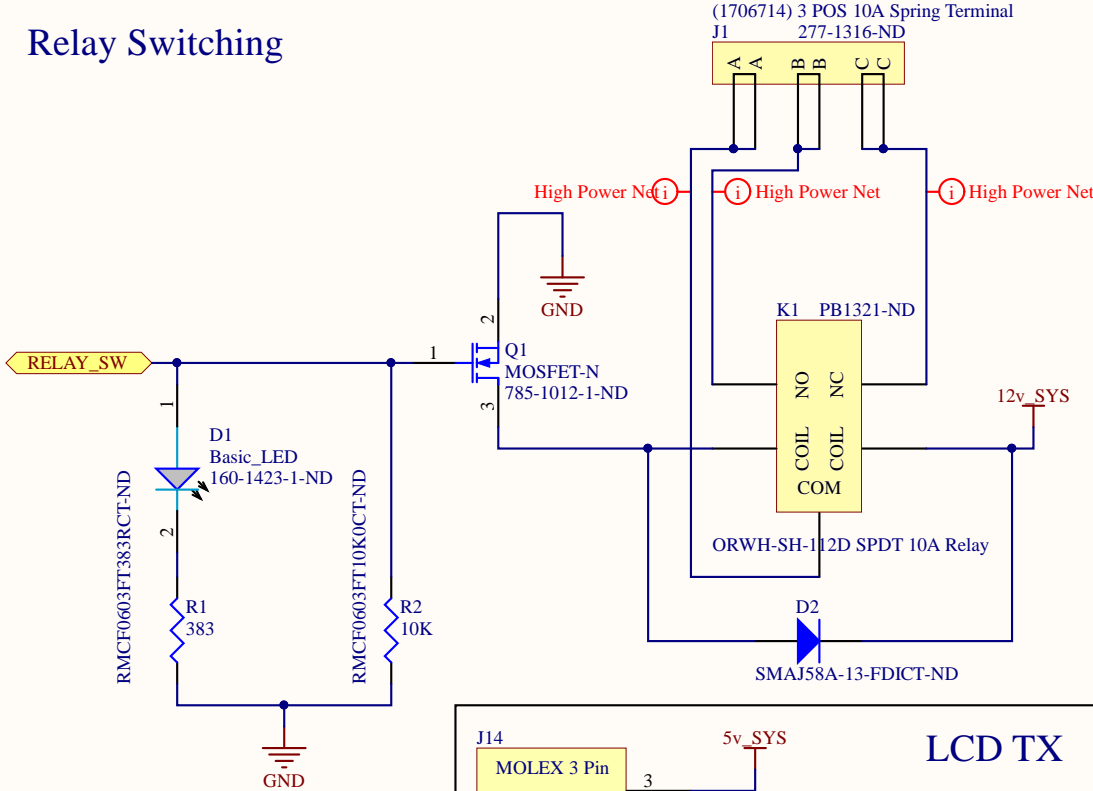
# Power Regulation



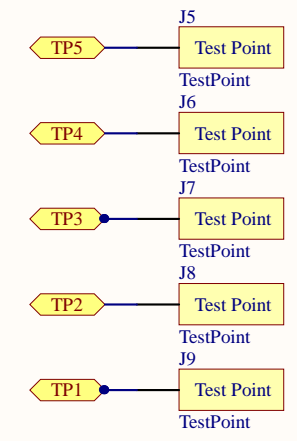
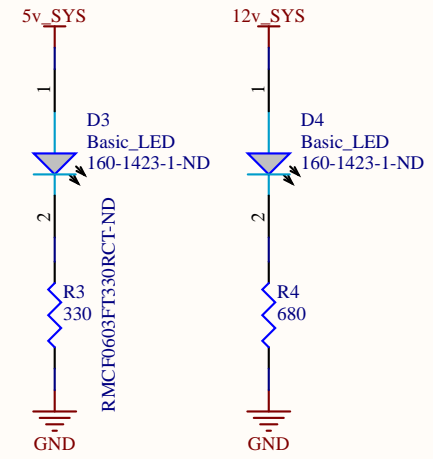
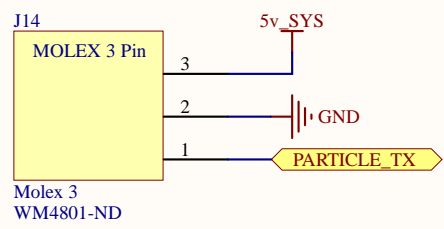
# Microcontroller



# Relay Switching



# LCD TX



OSURC RFID Access Control  
[www.nickmccomb.net/pcb](http://www.nickmccomb.net/pcb)

V1

T5

M2.5

U1

K1

COM

Coil

NO

J1

U2

J1  
T1  
T2  
T3  
T4

3V3

12V

5V

RELAY

POWER  
HEADER

5V

R3

R4

CENTER +

LCD Out

2-18 VCC

COM NO NC

