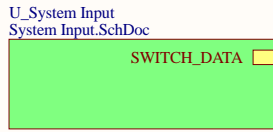
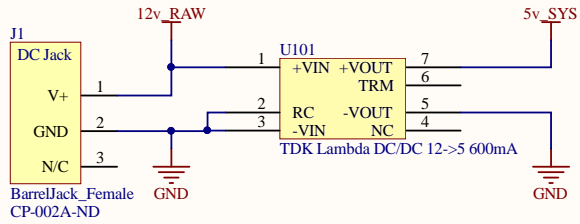
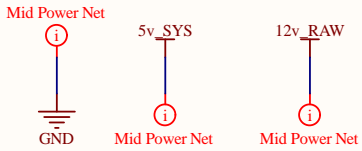


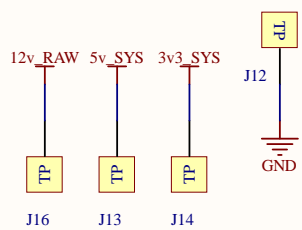
# Power Input



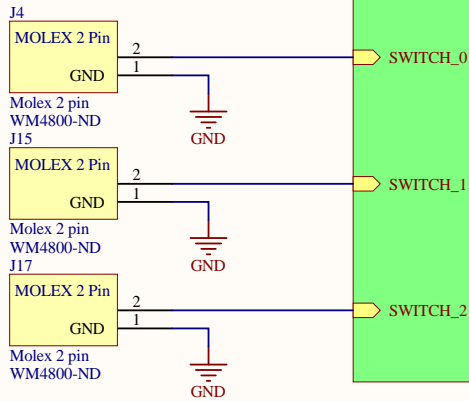
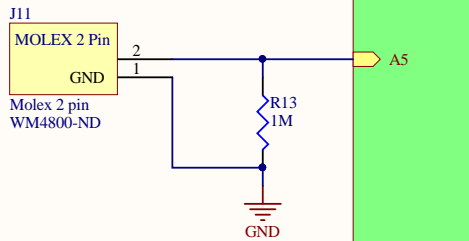
ClassName: MID\_POWER



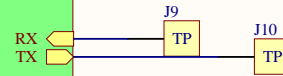
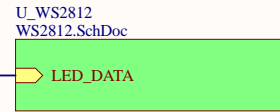
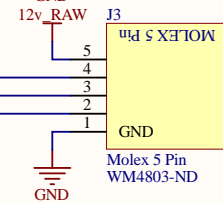
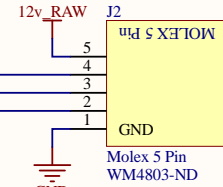
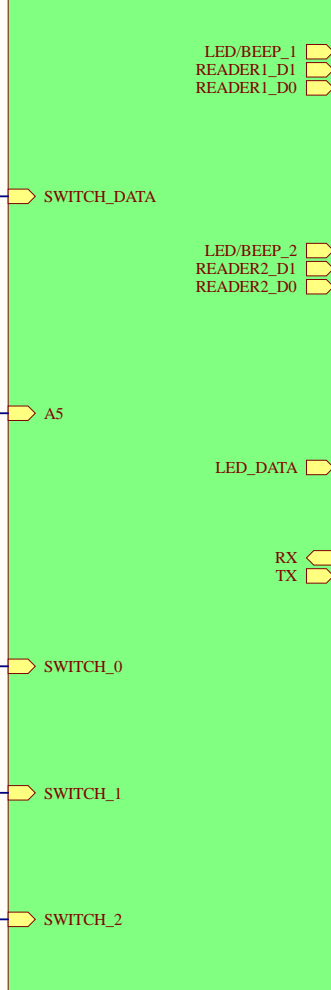
ClassName: MID\_POWER



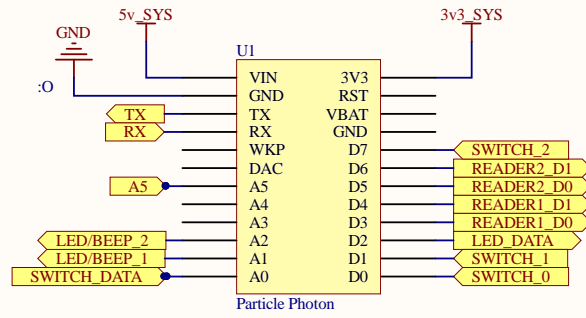
# Knock Sensor Input



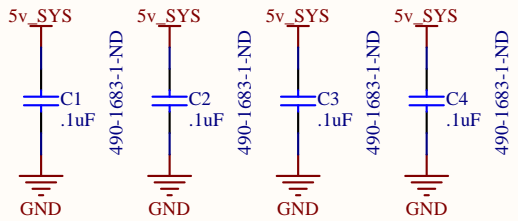
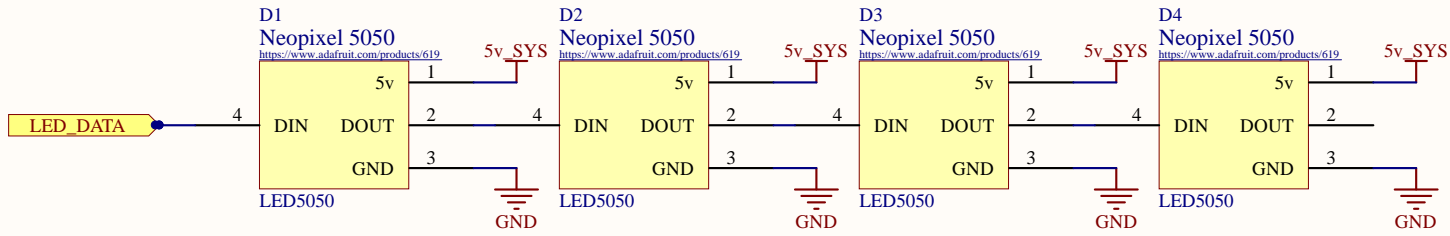
U\_Photon  
Photon.SchDoc



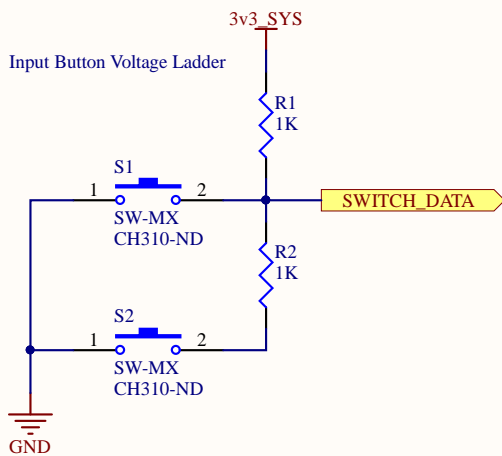
Title LATCH_Client_overview.SchDoc		
Size: A4	Number: 1	Revision: 1.1
Date: 2/10/2017	Time: 8:30:48 PM	Sheet 1 of 4
File: H:\Dropbox\PCB Designs (Conflict 2017)\LATCH Client\LATCH_Client_overview.SchDoc		



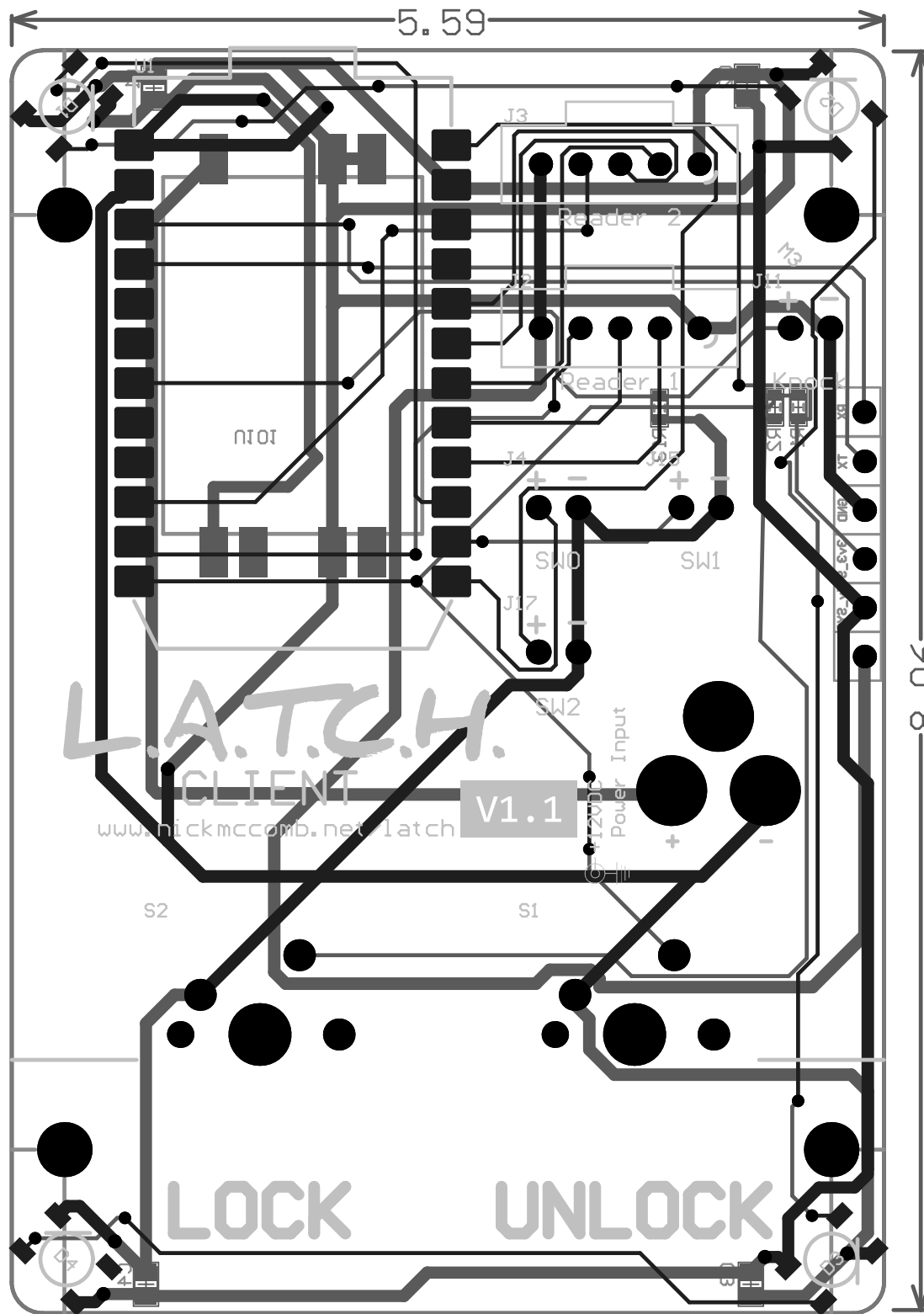
Title Photon.SchDoc			
Size: A4	Number:2	Revision: 1.1	
Date: 2/10/2017	Time: 8:30:48 PM	Sheet 2 of 4	
File: H:\Dropbox\PCB Designs (Conflict 2017)\LATCH Client\Photon.SchDoc			



Title WS2812.SchDoc			
Size: A4	Number:3	Revision: 1.1	
Date: 2/10/2017	Time: 8:30:48 PM	Sheet 3 of 4	
File: H:\Dropbox\PCB Designs (Conflict 2017)\LATCH Client\WS2812.SchDoc			



Title System Input.SchDoc				
Size: A4	Number:4	Revision: 1.1		
Date: 2/10/2017	Time: 8:30:48 PM	Sheet 4 of 4		
File: H:\Dropbox\PCB Designs (Conflict 2017)\LATCH Client\System Input.SchDoc				



L.A.T.C.H.  
CLIENT  
www.nickmccomb.net / latch

V1.1

LOCK

UNLOCK

5.59

8.06