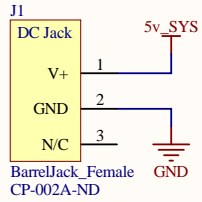
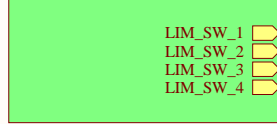


Power Input



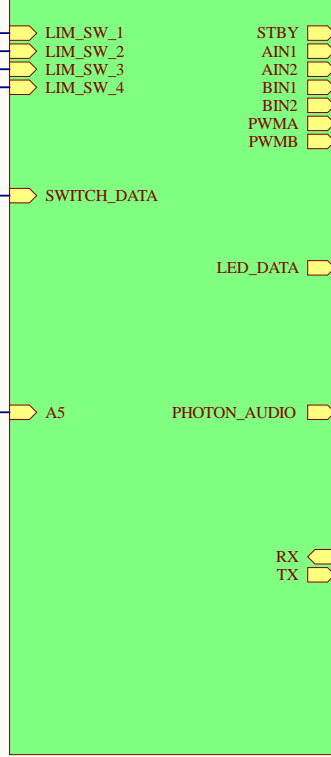
U_Limit Switches
Limit Switches.SchDoc



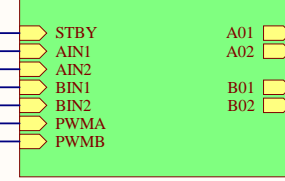
U_System Input
System Input.SchDoc



U_Photon
Photon.SchDoc



U_Motor Driver
Motor Driver.SchDoc



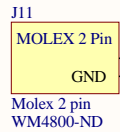
U_WS2812
WS2812.SchDoc



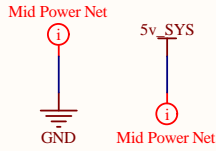
U_Audio Amplifier
Audio Amplifier.SchDoc



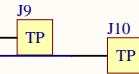
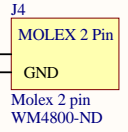
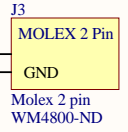
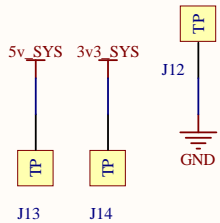
Knock Sensor Input



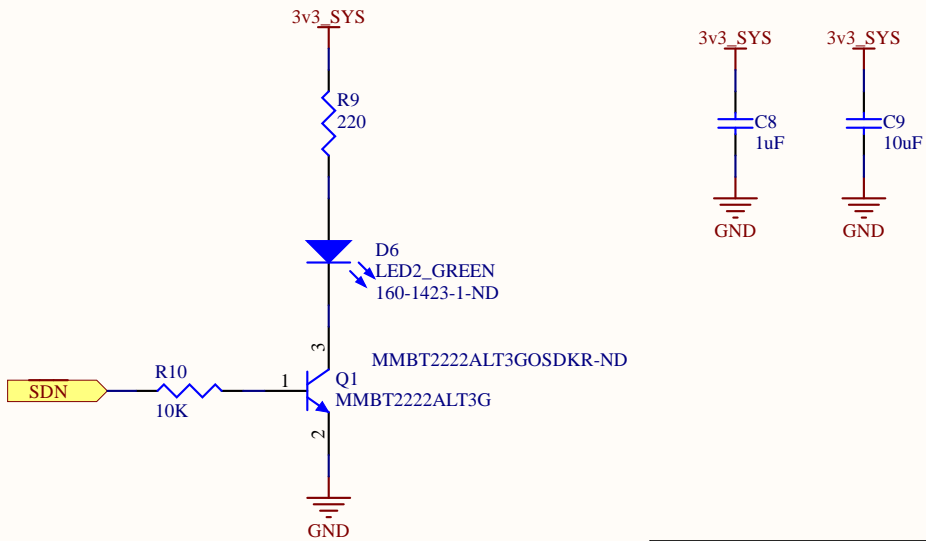
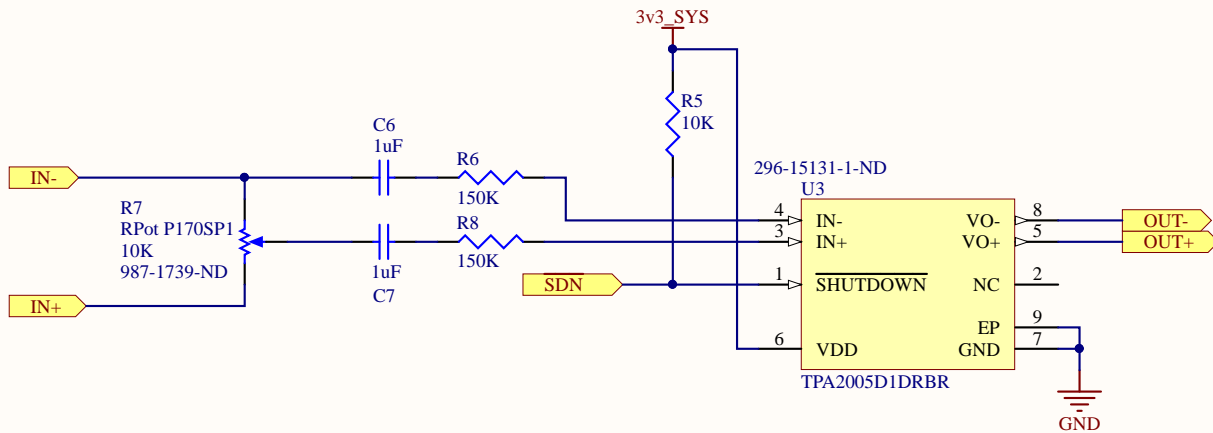
ClassName: MID_POWER



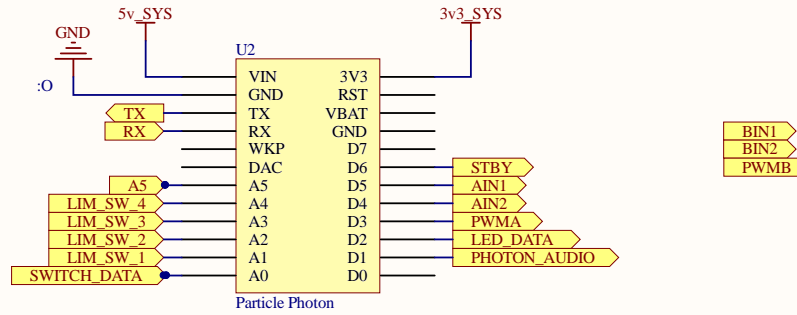
ClassName: MID_POWER



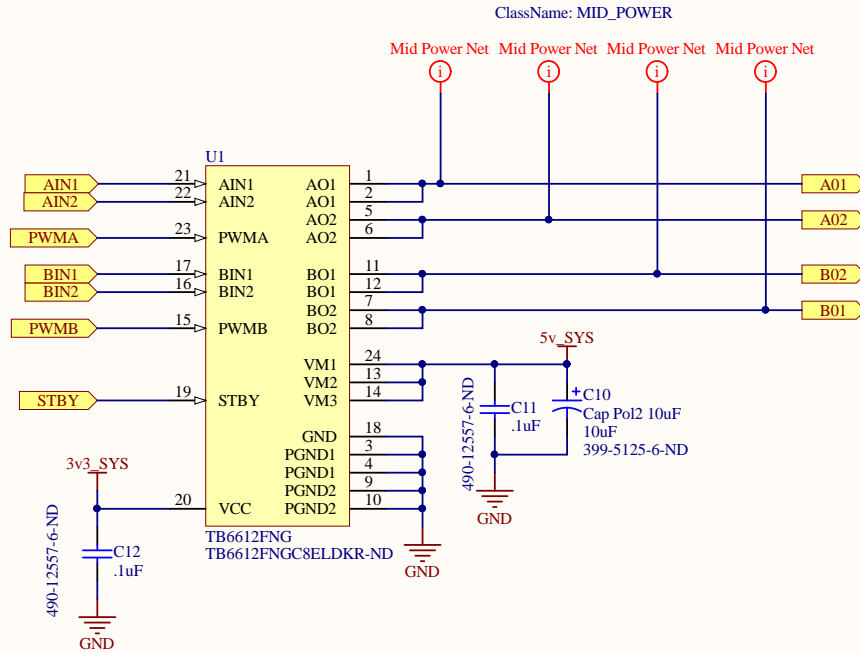
Title LATCH_overview.SchDoc		
Size: A4	Number: 1	Revision: 1
Date: 1/9/2017	Time: 7:52:20 PM	Sheet 1 of 7
File: C:\Users\nrpc_000\Dropbox\PCB Designs (Conflict 2017)\LATCH\LATCH_overview.SchDoc		



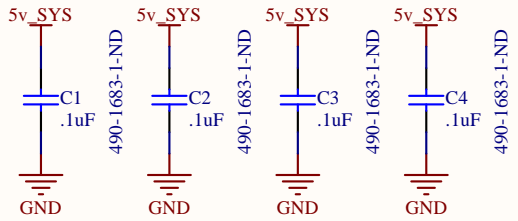
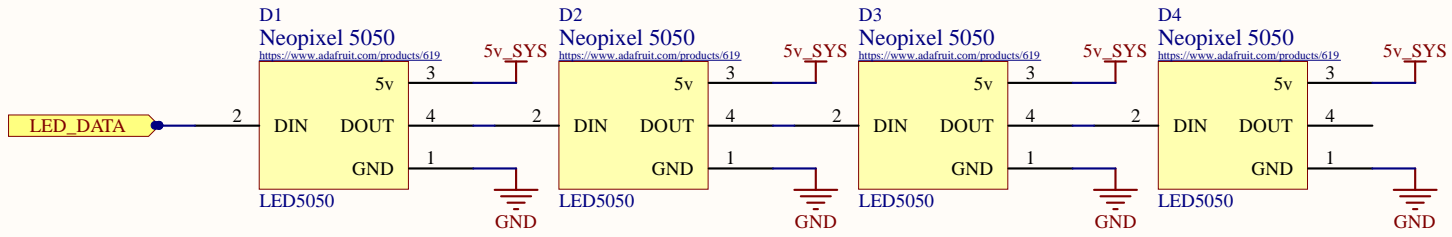
Title: *Audio Amplifier.SchDoc		
Size: A4	Number:2	Revision:*1
Date: 1/9/2017	Time: 7:52:20 PM	Sheet 2 of 7
File: C:\Users\nrpc\000\Dropbox\PCB Designs (Conflict 2017)\LATCH\Audio Amplifier.SchDoc		



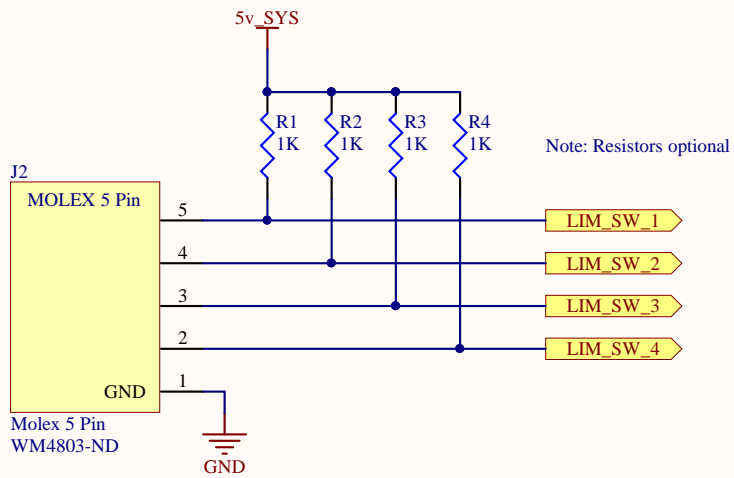
Title Photon.SchDoc			
Size: A4	Number: 3	Revision: 1	
Date: 1/9/2017	Time: 7:52:20 PM	Sheet 3 of 7	
File: C:\Users\nrpc.000\Dropbox\PCB Designs (Conflict 2017)\LATCH\Photon.SchDoc			



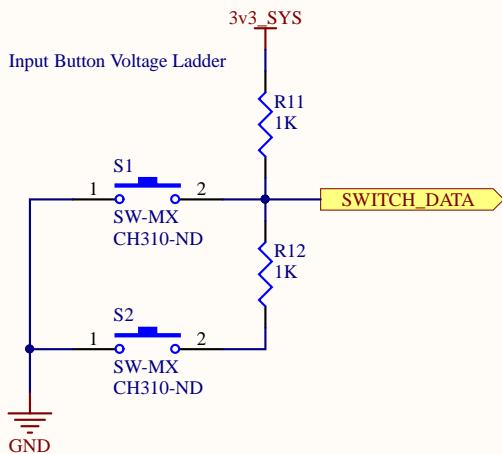
Title Motor Driver.SchDoc			
Size: A4	Number: 4	Revision: 1	
Date: 1/9/2017	Time: 7:52:20 PM	Sheet 4 of 7	
File: C:\Users\nrpc_000\Dropbox\PCB Designs (Conflict 2017)\LATCH\Motor Driver.SchDoc			



Title WS2812.SchDoc		
Size: A4	Number: 5	Revision: 1
Date: 1/9/2017	Time: 7:52:20 PM	Sheet 5 of 7
File: C:\Users\nrpc_000\Dropbox\PCB Designs (Conflict 2017)\LATCH\WS2812.SchDoc		



Title Limit Switches.SchDoc				
Size: A4	Number:6	Revision:*1		
Date: 1/9/2017	Time: 7:52:20 PM	Sheet 6 of 7		
File: C:\Users\nrpc_000\Dropbox\PCB Designs (Conflict 2017)\LATCH\Limit Switches.SchDoc				



Title System Input.SchDoc				
Size: A4	Number: 7	Revision: 1		
Date: 1/9/2017	Time: 7:52:20 PM	Sheet 7 of 7		
File: C:\Users\nrpc_000\Dropbox\PCB Designs (Conflict 2017)\LATCH\System Input.SchDoc				

