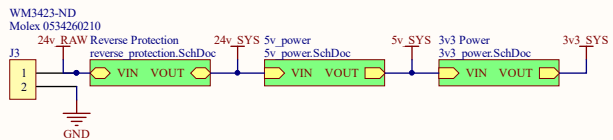


Questions:
 What pin should the SBus connection go on?
 What should happen with the ID pin for the MCU?

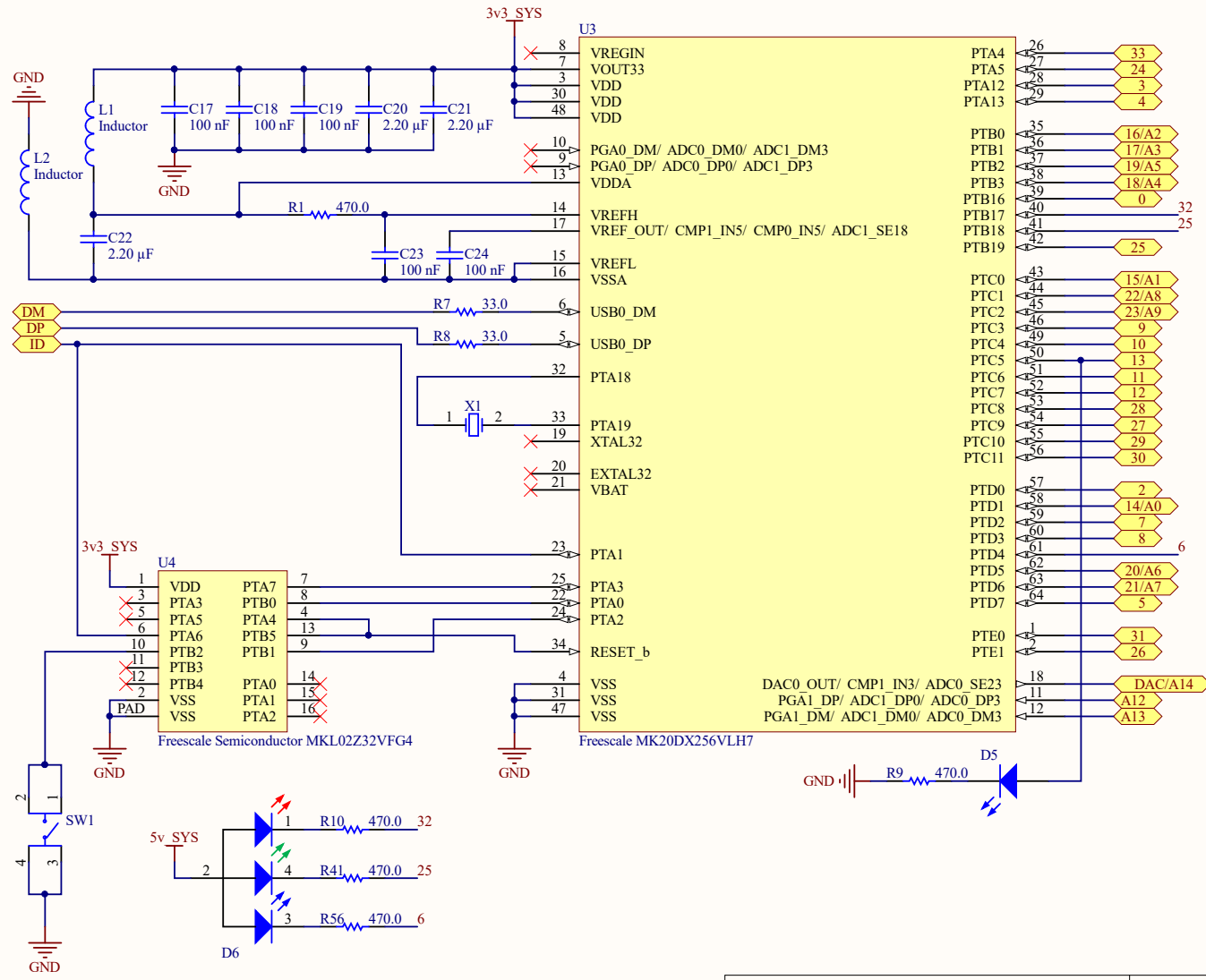
Short circuit current for each 485 transceiver is 250mA which would dictate a 2.5A supply, however this was eschewed in favor of assuming a failure rate of 2 devices would be acceptable.
 2 failed devices + 8 nominally operating devices
 500ma + 400mA + 100mA buffer

70ma per FTDI chip
 50ma for USB hub

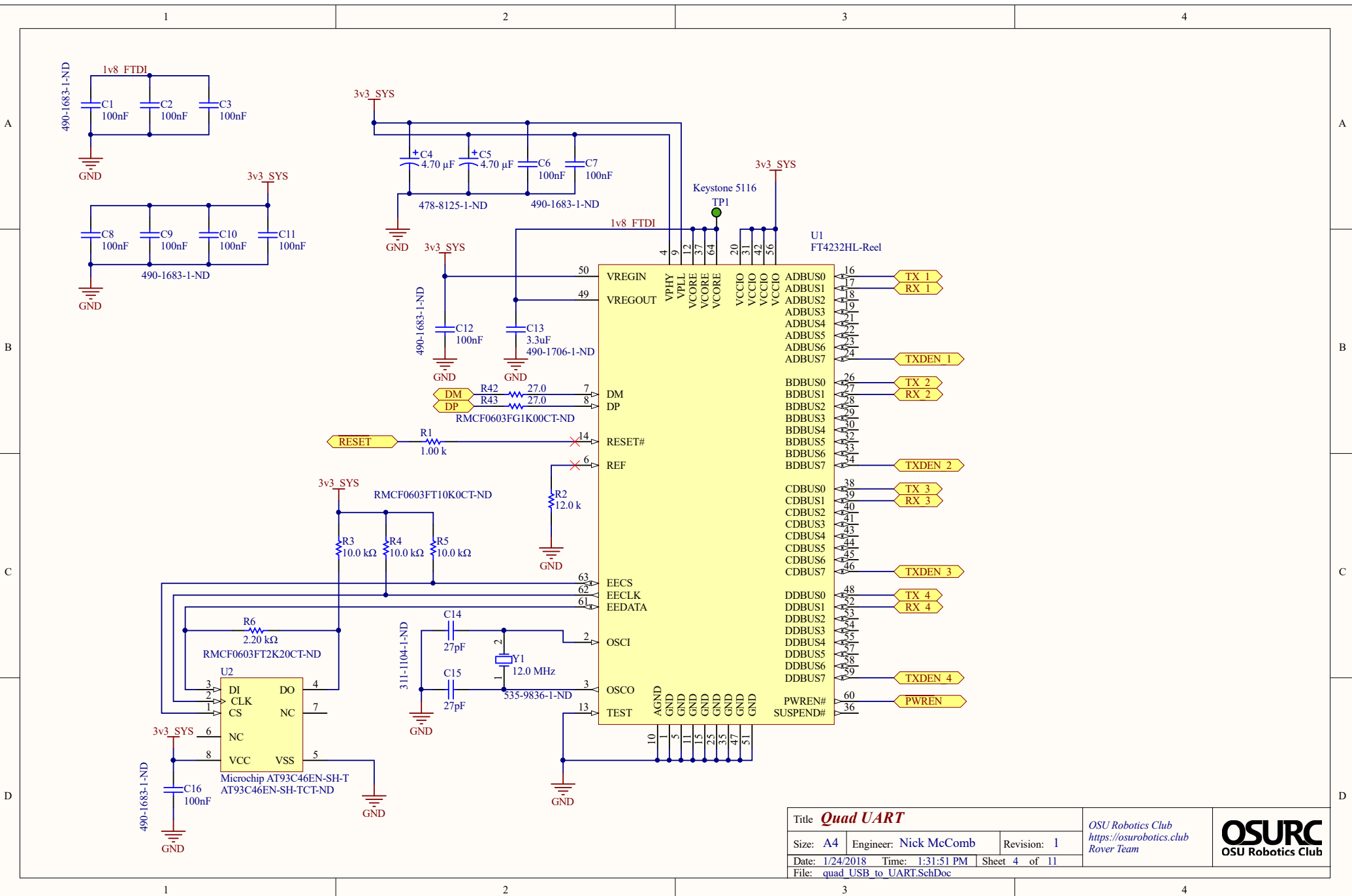
Power Management



Title Main			OSU Robotics Club https://osurobotics.club Rover Team	
Size: A4	Engineer: Nick McComb	Revision: 1		
Date: 1/24/2018	Time: 1:31:51 PM	Sheet 1 of 11		
File: Main.SchDoc				



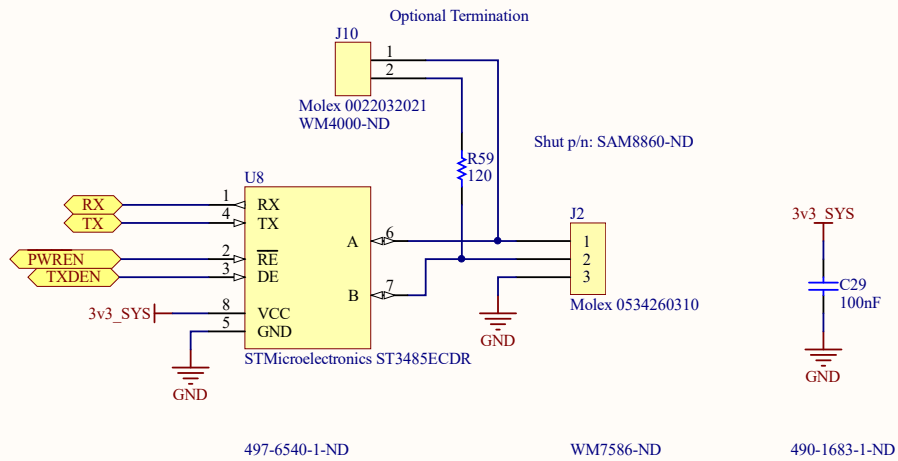
Title Teensy 3.2 MCU			OSU Robotics Club https://osurobotics.club Rover Team	OSURC OSU Robotics Club
Size: A4	Engineer: Nick McComb	Revision: 1		
Date: 1/24/2018	Time: 1:31:51 PM	Sheet 3 of 11		
File: mcu.SchDoc				



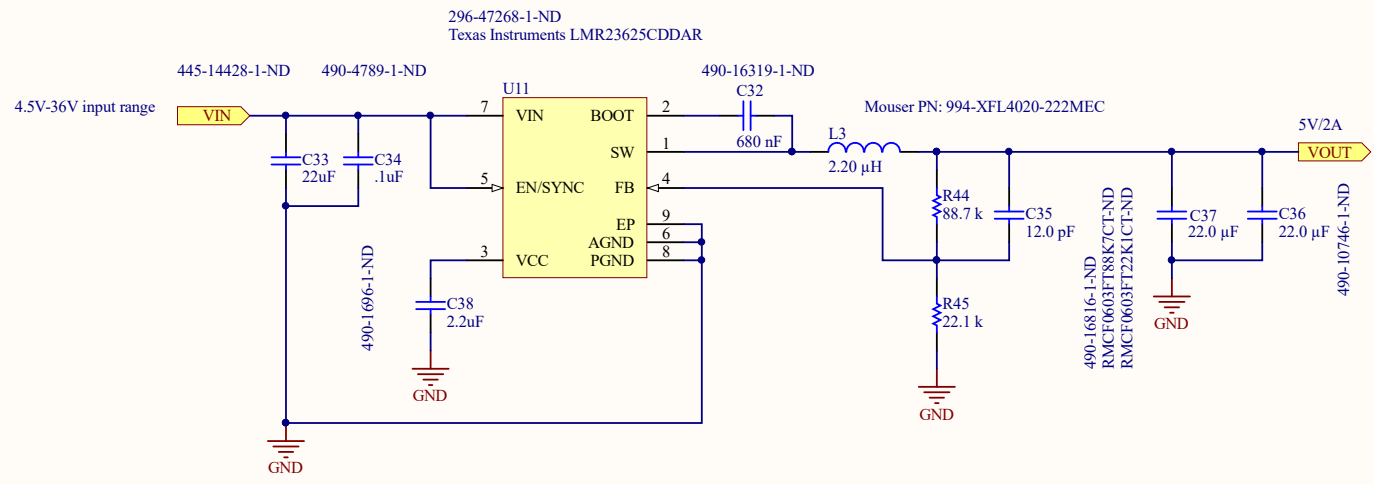
Title Quad UART		
Size: A4	Engineer: Nick McComb	Revision: 1
Date: 1/24/2018	Time: 1:31:51 PM	Sheet 4 of 11
File: quad USB to UART.SchDoc		

OSU Robotics Club
<https://osurobotics.club>
 Rover Team





Title RS485 Transceiver			OSU Robotics Club https://osurobotics.club Rover Team	
Size: A4	Engineer: Nick McComb	Revision: 1		
Date: 1/24/2018	Time: 1:31:52 PM	Sheet 5 of 11		
File: rs485_transceiver.SchDoc				



<http://www.ti.com/lit/ds/symlink/lmr23625.pdf>

Title 5V Power Regulator			OSURC OSU Robotics Club https://osurobotics.club Rover Team
Size: A4	Engineer: Nick McComb	Revision: 1	
Date: 1/24/2018	Time: 1:31:52 PM	Sheet 6 of 11	
File: 5v_power.SchDoc			

1

2

3

4

A

A

B

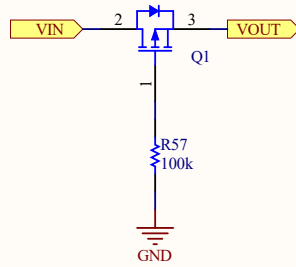
B

C

C

D

D



Title Reverse Protection			OSU Robotics Club https://osurobotics.club Rover Team	
Size: A4	Engineer: Nick McComb	Revision: 1		
Date: 1/24/2018	Time: 1:31:52 PM	Sheet 7 of 11		
File: reverse_protection.SchDoc				

1

2

3

4

1

2

3

4

A

A

B

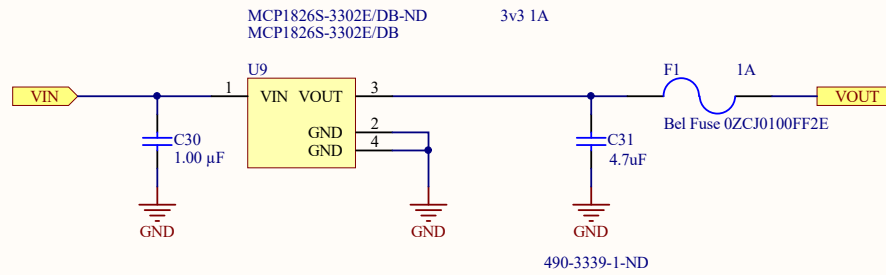
B

C

C

D

D



Title 3v3 Power Regulator			OSU Robotics Club https://osurobotics.club Rover Team	
Size: A4	Engineer: Nick McComb	Revision: 1		
Date: 1/24/2018	Time: 1:31:52 PM	Sheet 8 of 11		
File: 3v3_power.SchDoc				

1

2

3

4

1

2

3

4

A

A

B

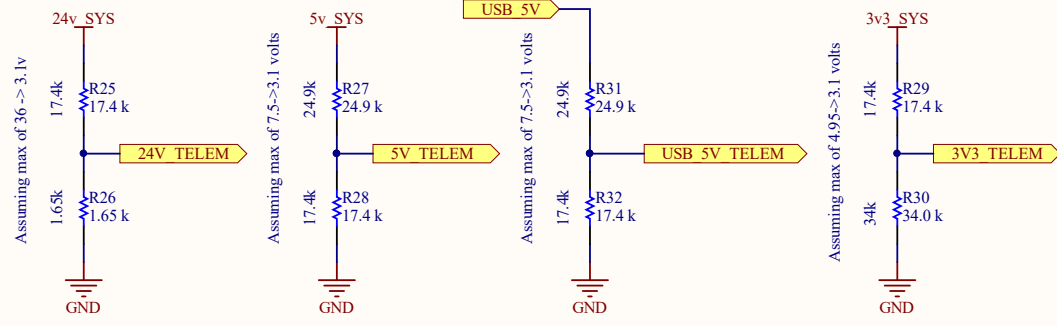
B

C

C

D

D



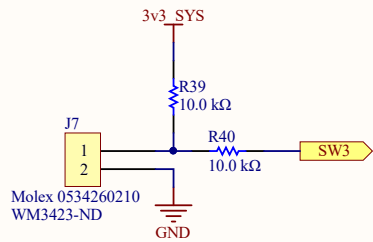
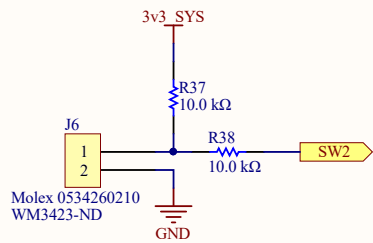
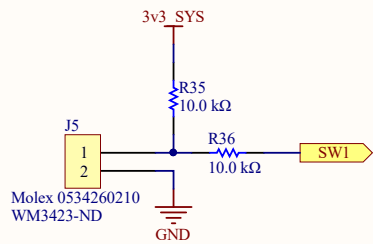
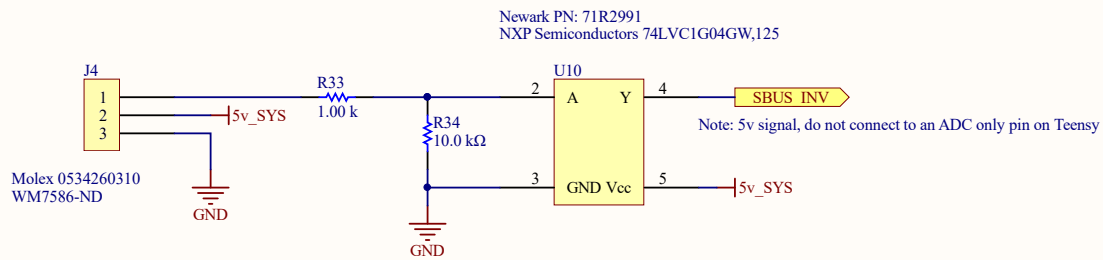
Title Telemetry			OSU Robotics Club https://osurobotics.club Rover Team	OSURC OSU Robotics Club
Size: A4	Engineer: Nick McComb	Revision: 1		
Date: 1/24/2018	Time: 1:31:52 PM	Sheet 9 of 11		
File: Telemetry.SchDoc				

1

2

3

4



Title MCU Interface			OSURC OSU Robotics Club https://osurobotics.club Rover Team
Size: A4	Engineer: Nick McComb	Revision: 1	
Date: 1/24/2018	Time: 1:31:52 PM	Sheet 10 of 11	
File: MCU Interface.SchDoc			

1

2

3

4

A

A

B

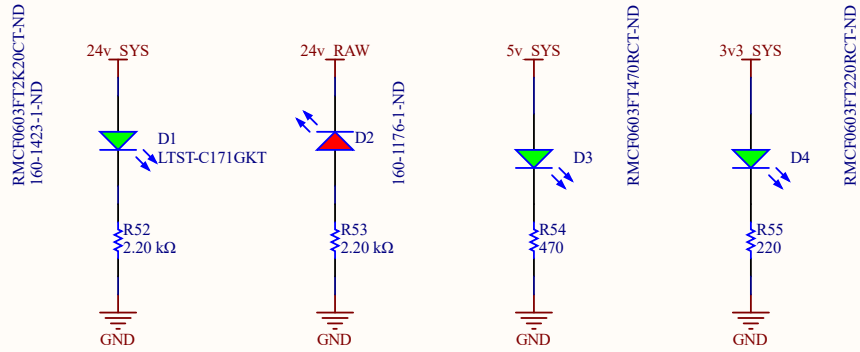
B

C

C

D

D



Title Indicators			OSU Robotics Club https://osurobotics.club Rover Team	OSURC OSU Robotics Club
Size: A4	Engineer: Nick McComb	Revision: 1		
Date: 1/24/2018	Time: 1:31:52 PM	Sheet 11 of 11		
File: LED_Indicators.SchDoc				

1

2

3

4