

Title **Single DC Motor Driver**

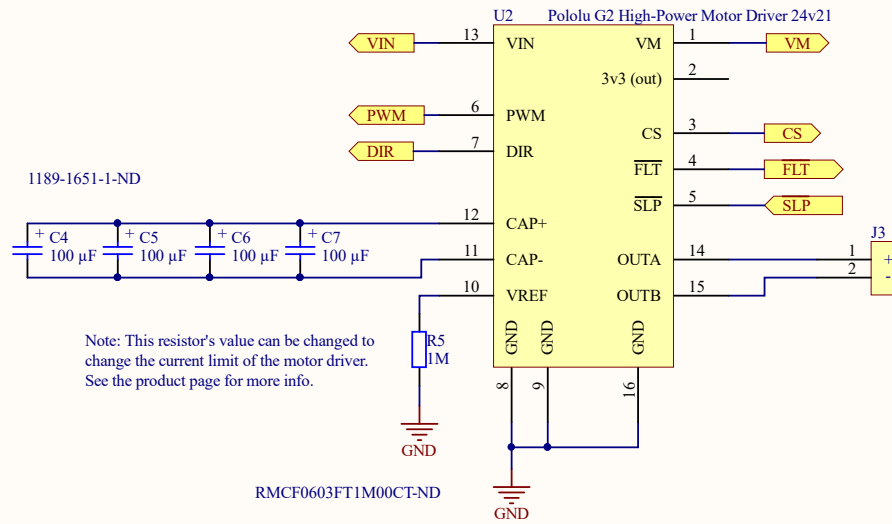
Size: **A4** Engineer: **Nick McComb** Revision: **1**

Date: **2/10/2018** Time: **4:22:27 PM** Sheet **1** of **6**

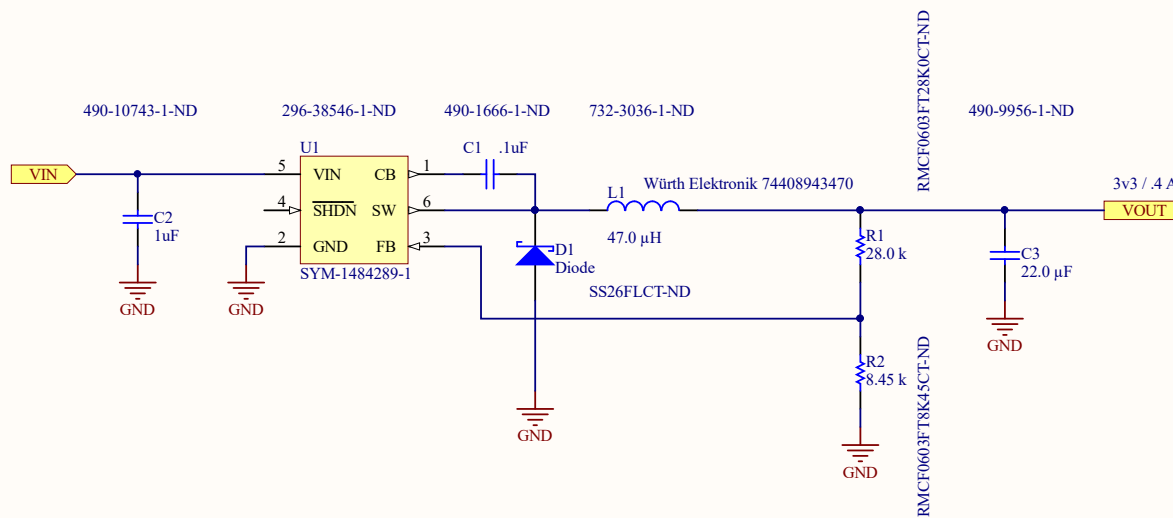
File: **Main.SchDoc**

OSU Robotics Club  
<https://osurobotics.club>  
Rover Team





Title <b>Motor Driver</b>			OSU Robotics Club <a href="https://osurobotics.club">https://osurobotics.club</a> Rover Team	<b>OSURC</b> OSU Robotics Club
Size: A4	Engineer: Nick McComb	Revision: 1		
Date: 2/10/2018	Time: 4:22:27 PM	Sheet 2 of 6		
File: Motor Driver.SchDoc				

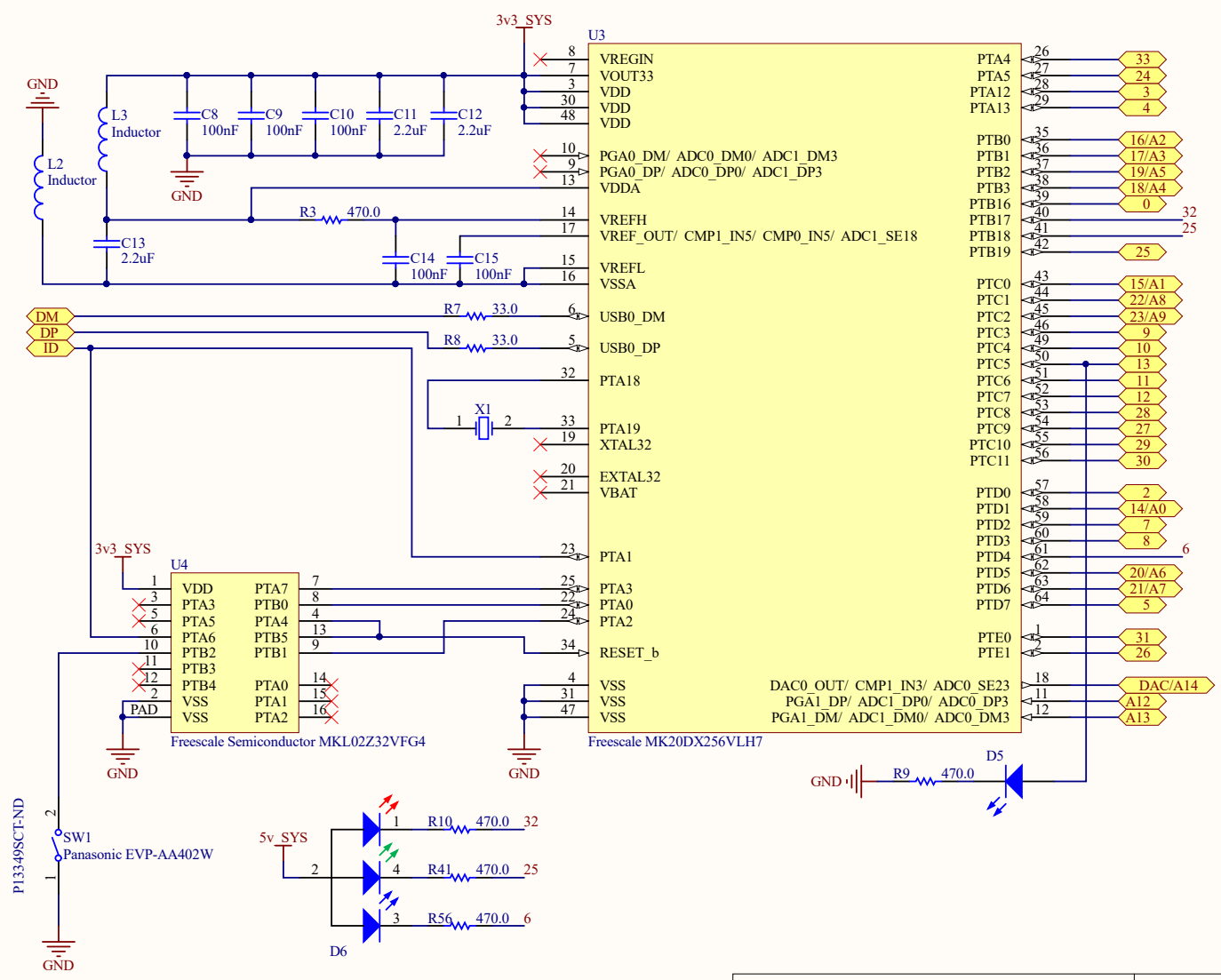


<https://webench.ti.com/appinfo/webench/scripts/SDP.cgi?ID=AE57D7A6E6B294AA>

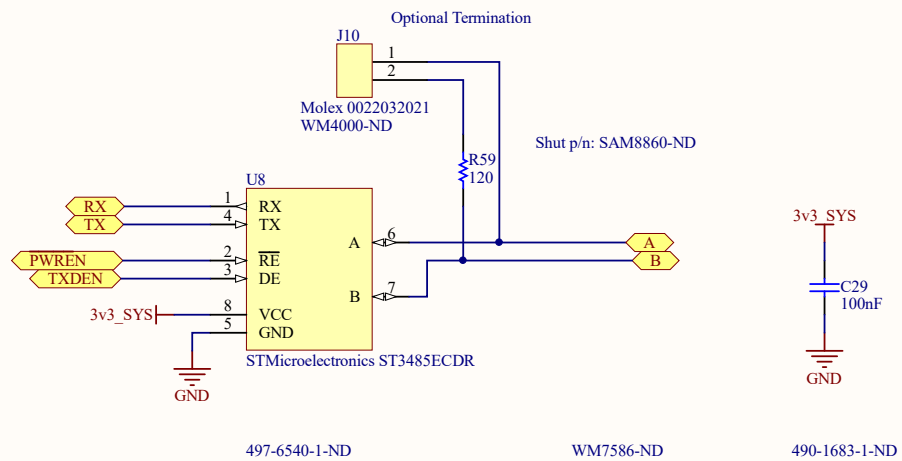
Title <b>3v3 Power Source</b>		
Size: A4	Engineer: Nick McComb	Revision: 1
Date: 2/10/2018	Time: 4:22:27 PM	Sheet 3 of 6
File: 3v3_power.SchDoc		

OSU Robotics Club  
<https://osurobotics.club>  
 Rover Team

**OSURC**  
 OSU Robotics Club



Title <b>Teensy 3.2 MCU</b>			<a href="https://osurobotics.club">OSU Robotics Club</a> <a href="https://osurobotics.club">https://osurobotics.club</a> Rover Team	
Size: A4	Engineer: Nick McComb	Revision: 1		
Date: 2/10/2018	Time: 4:22:28 PM	Sheet 4 of 6		
File: mecu.SchDoc				



Title <b>RS485 Transceiver</b>			OSU Robotics Club <a href="https://osurobotics.club">https://osurobotics.club</a> Rover Team	
Size: A4	Engineer: Nick McComb	Revision: 1		
Date: 2/10/2018	Time: 4:22:28 PM	Sheet 5 of 6		
File: rs485_transceiver.SchDoc				

1

2

3

4

A

A

B

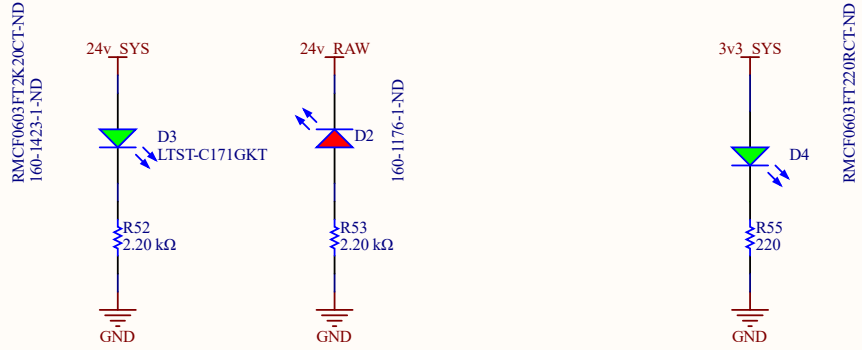
B

C

C

D

D



Title <b>Indicators</b>			OSU Robotics Club <a href="https://osurobotics.club">https://osurobotics.club</a> Rover Team	<b>OSURC</b> OSU Robotics Club
Size: A4	Engineer: Nick McComb	Revision: 1		
Date: 2/10/2018	Time: 4:22:28 PM	Sheet 6 of 6		
File: LED_Indicators.SchDoc				

1

2

3

4

