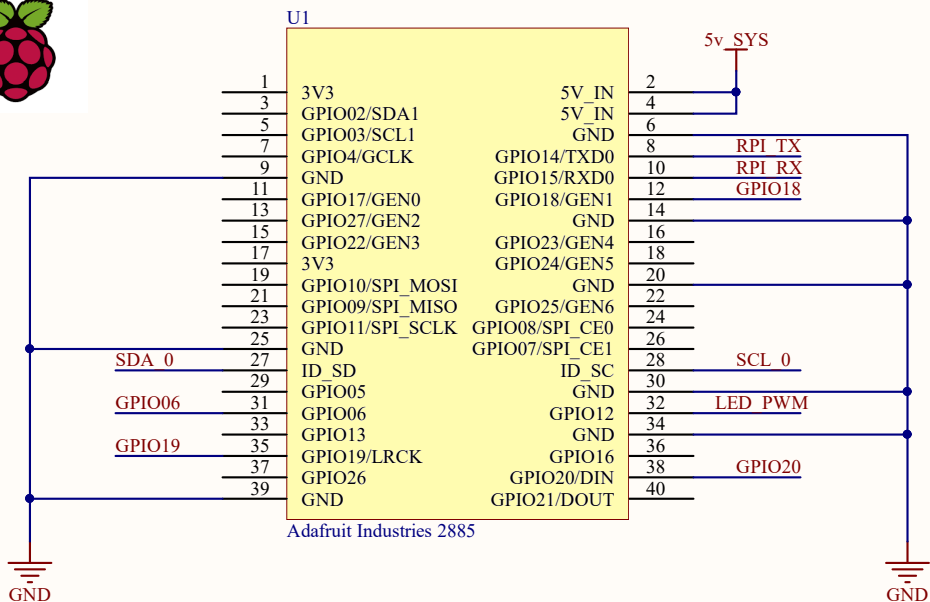


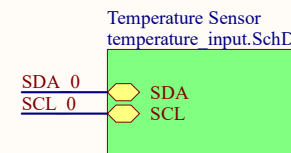
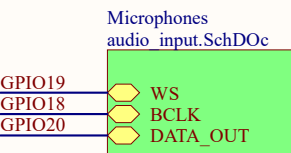
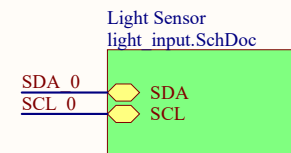
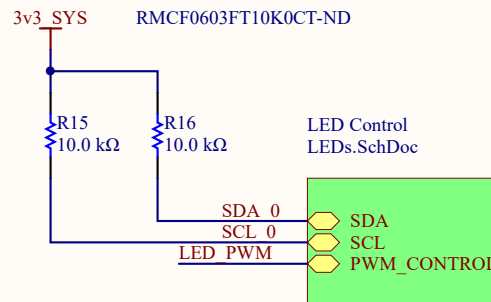
A

A



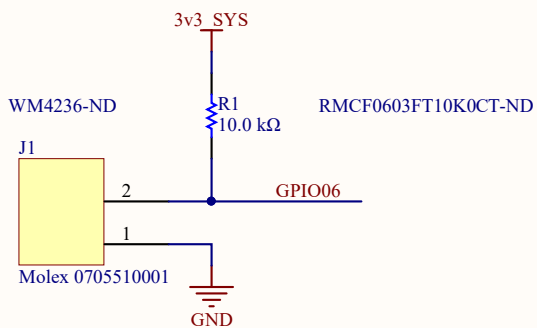
B

B



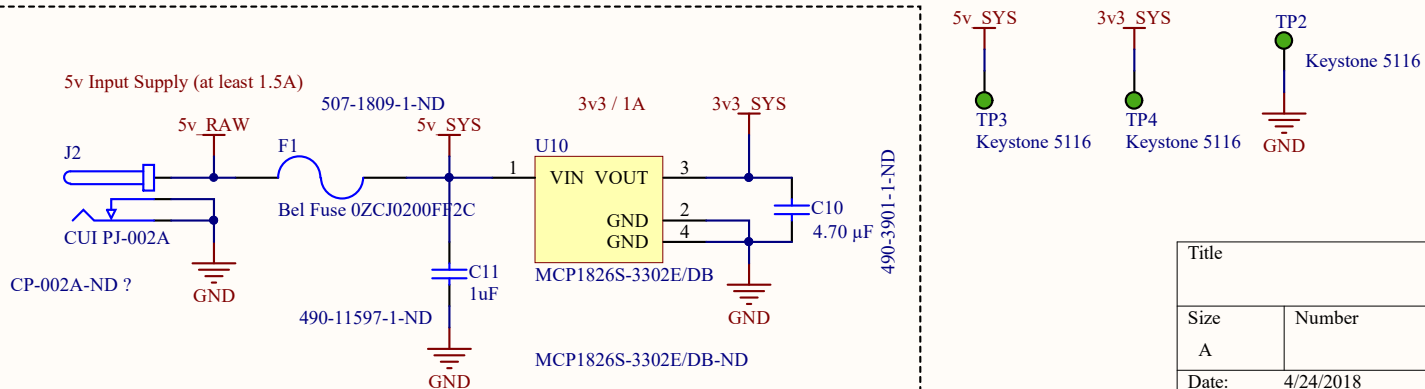
C

C



D

D



Title		
Size	Number	Revision
A		
Date:	4/24/2018	Sheet of
File:	Main.SchDoc	Drawn By:

A

B

C

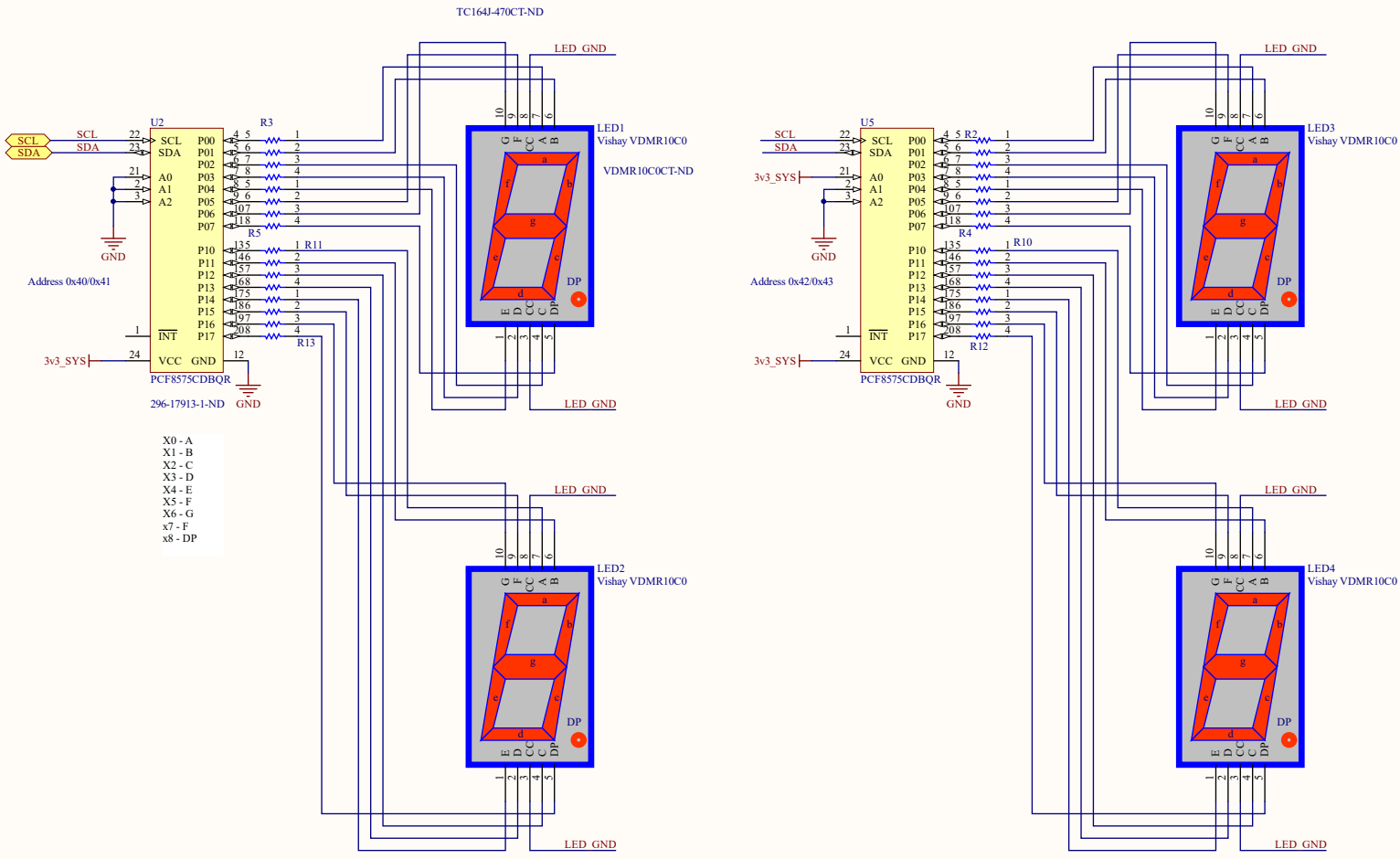
D

A

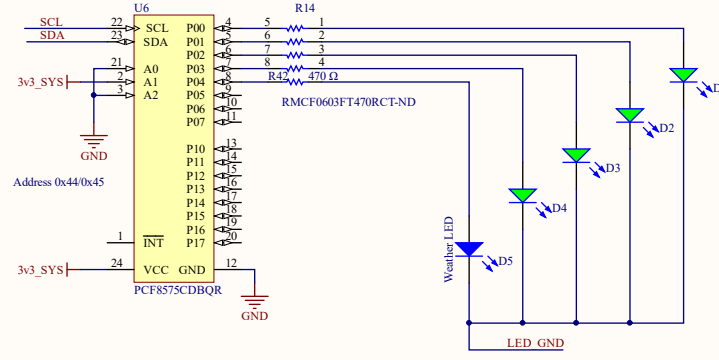
B

C

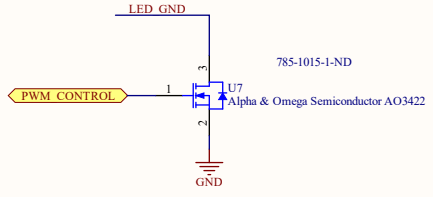
D



Room Lights

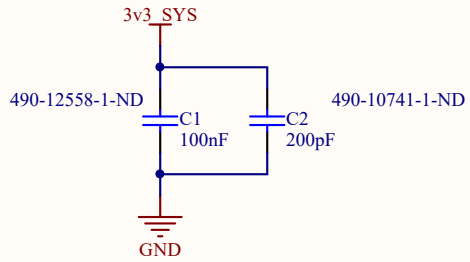


160-1423-1-ND

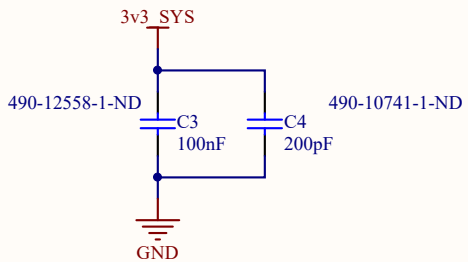
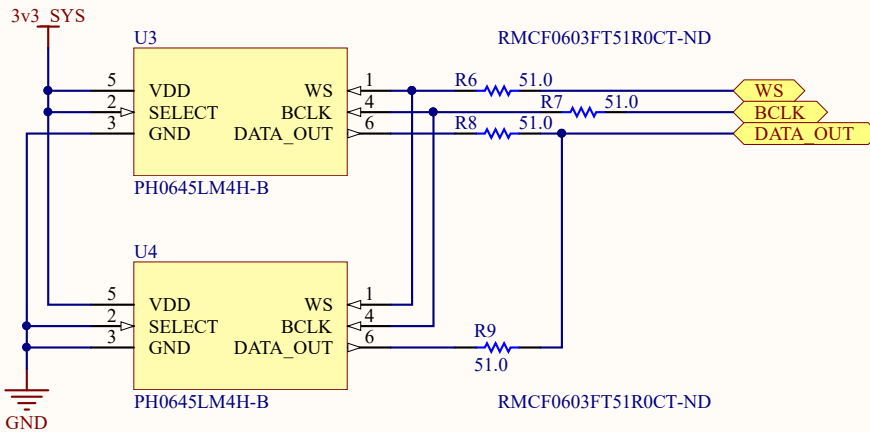


Title *		*
Size: A3	Number: *	Revision: *
Date: 4/24/2018	Time: 12:29:35 PM	Sheet * of *
File: LEDs.SchDoc		

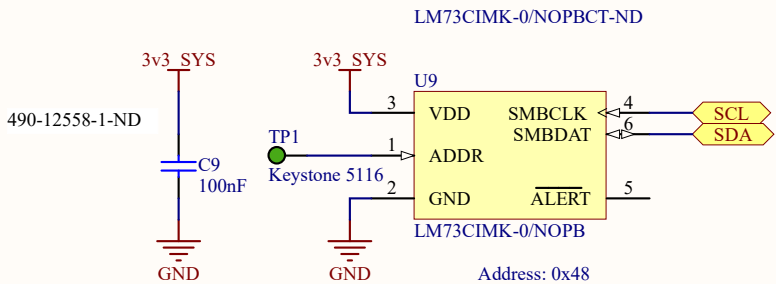




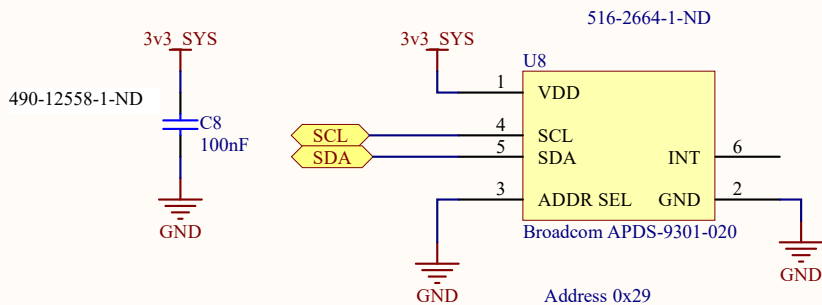
Gotta have that stereo audio...



Title		
Size	Number	Revision
A		
Date:	4/24/2018	Sheet of
File:	audio_input.SchDOc	Drawn By:



Title		
Size	Number	Revision
A		
Date:	4/24/2018	Sheet of
File:	temperature input.SchDoc	Drawn By:



Title		
Size	Number	Revision
A		
Date:	4/24/2018	Sheet of
File:	light_input.SchDoc	Drawn By: