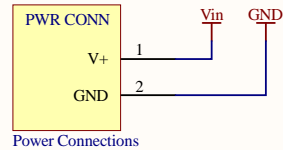
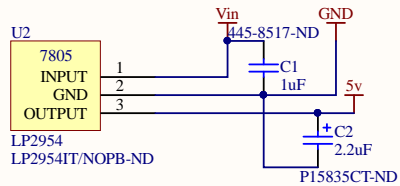


Power Input

Vin should be between 5 and 16 volts



Hardware

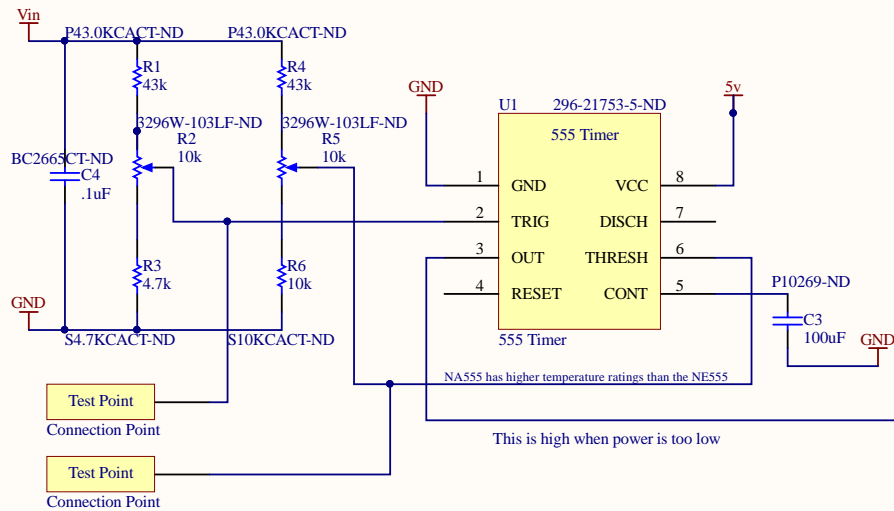
Mounting Hole
Mounting Hole

Mounting Hole
Mounting Hole

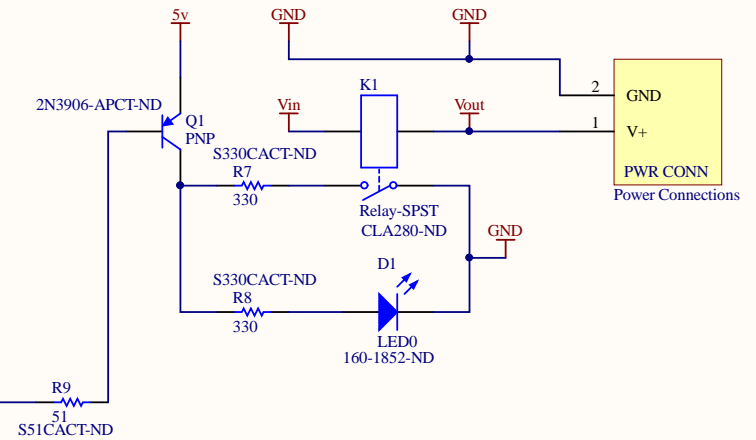
Mounting Hole
Mounting Hole

Mounting Hole
Mounting Hole

Voltage Detection



Output Switching



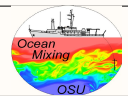
Title LowVoltageDisconnect.SchDoc

Size: A4 Number: 1 Engineer: Nick McComb

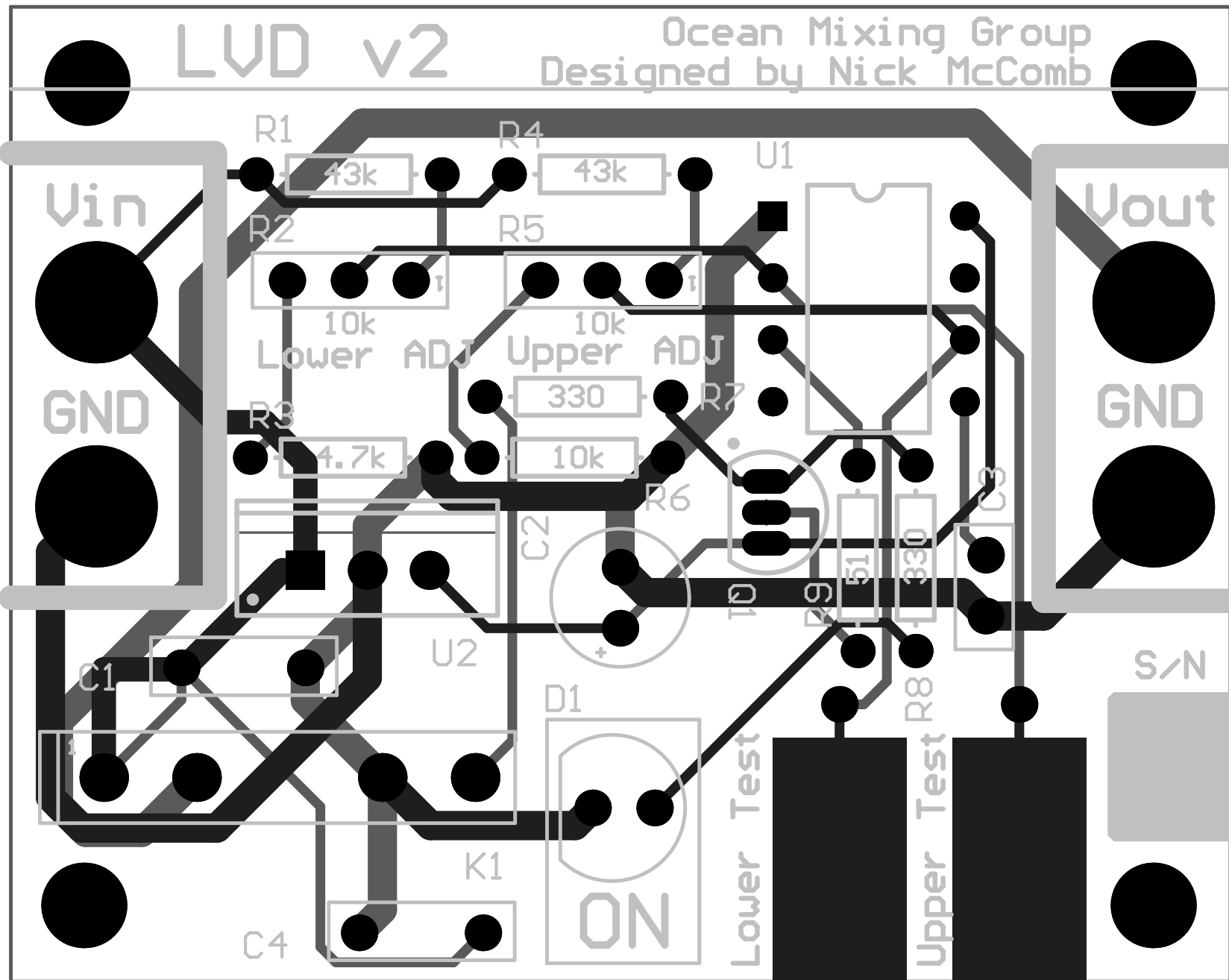
Date: 5/13/2016 Time: 3:47:30 PM Sheet 1 of 1 Revision: 2

File: C:\Users\nrpc_000\Google Drive\PCB Designs\LowVoltageDisconnect\LowVoltageDisconnect.SchDoc

Ocean Mixing Group
Oregon State University
Corvallis, OR



5.00



4.00