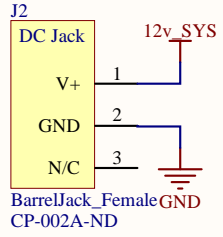
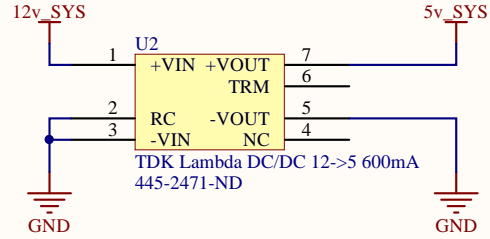


Power Input

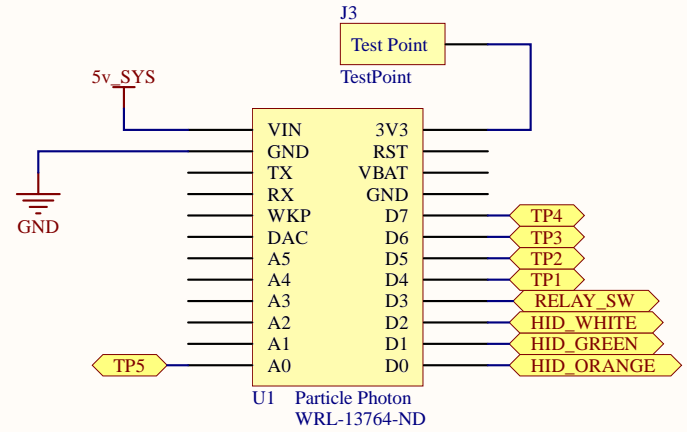


Fuse?

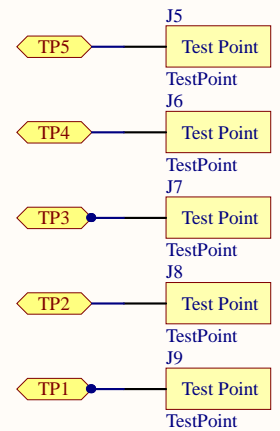
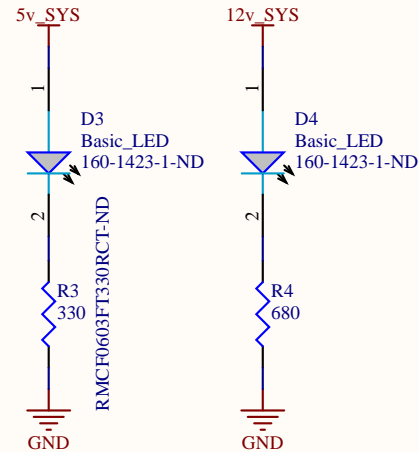
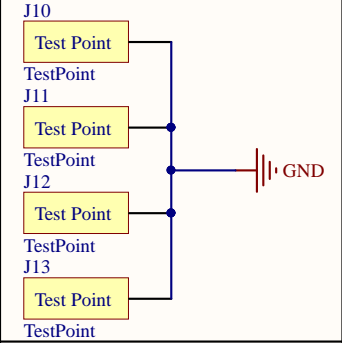
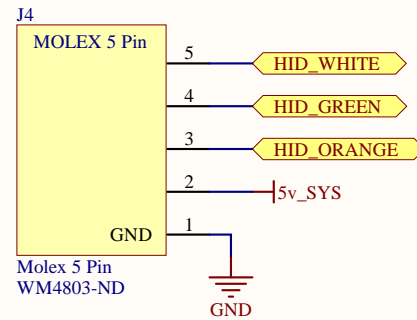
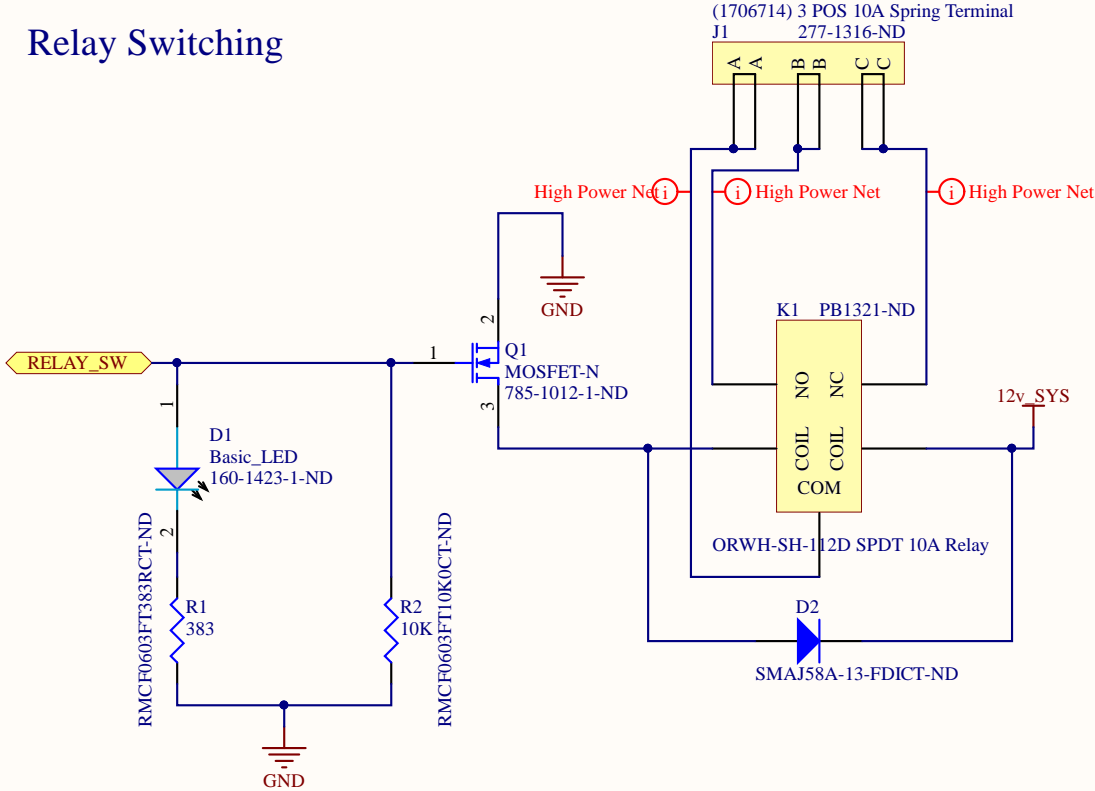
Power Regulation



Microcontroller



Relay Switching



Title SCH_RFID_access_pcb.SchDoc

Size: A4 Number: 1 Engineer: ProjectEngineer

Date: 9/24/2016 Time: 11:45:03 PM Sheet 1 of 1

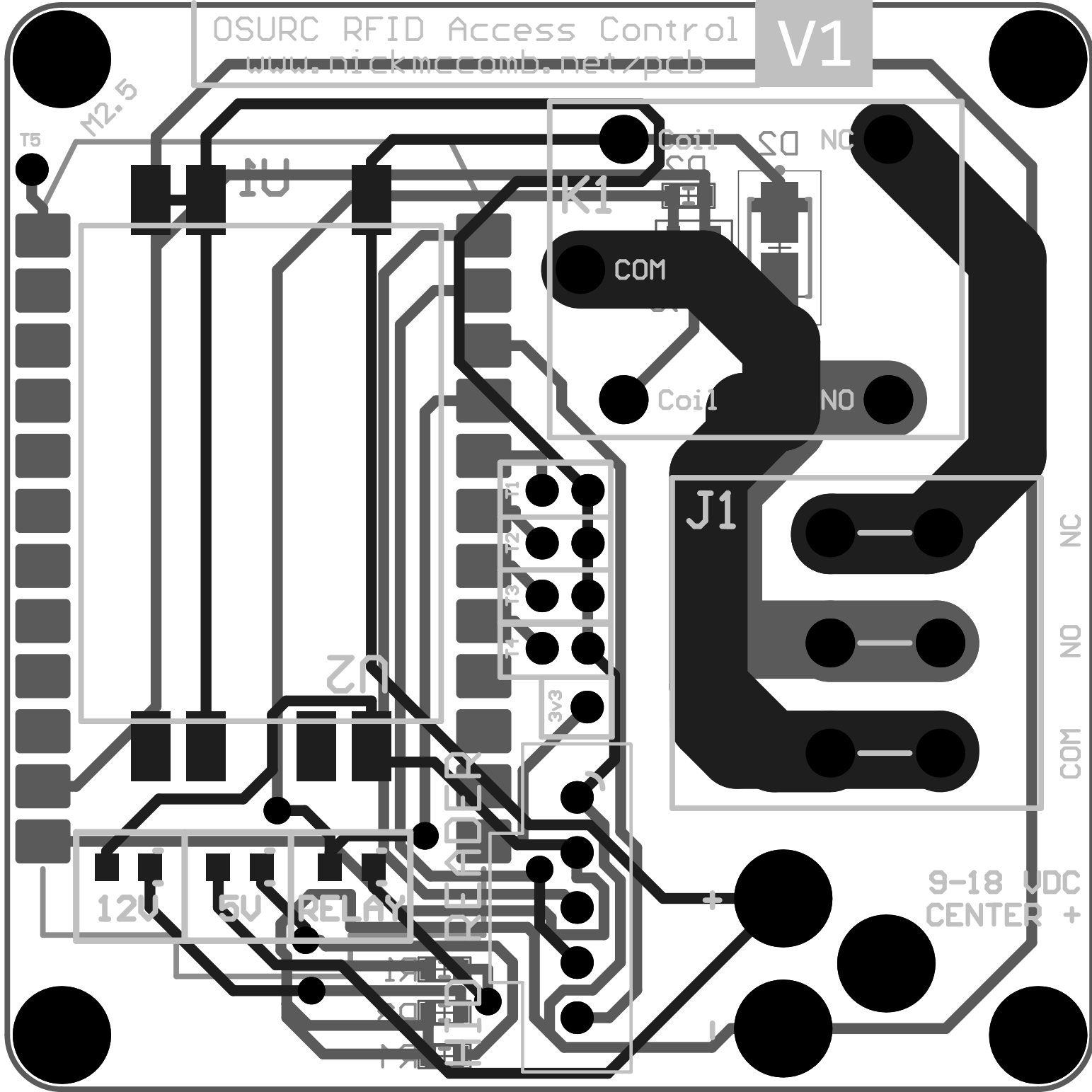
File: C:\Users\nrpc\000\Documents\GitHub\security_systems\RFID_access_pcb\SCH_RFID_access_pcb.SchDoc

OSURC
OSU Robotics Club

OSURC RFID Access Control

www.nickmccomb.net/pcb

V1



T5

M2.5

U1

K1

COM

Coil

NO

J1

NC

NO

COM

12V

5V

RELAY

RELAY

T1

3v3

9-18 VDC
CENTER +